

INSTALLATION GUIDE

AXIS T98A-VE Series

AXIS T98A15-VE Surveillance Cabinet

AXIS T98A16-VE Surveillance Cabinet

AXIS T98A17-VE Surveillance Cabinet

AXIS T98A18-VE Surveillance Cabinet

AXIS T98A19-VE Surveillance Cabinet

ENGLISH

FRANÇAIS

DEUTSCH

ITALIANO

ESPAÑOL

Legal Considerations

Video and audio surveillance can be prohibited by laws that vary from country to country. Check the laws in your local region before using this product for surveillance purposes.

Safety

C This product complies with IEC/EN/UL 60950-1 and IEC/EN/UL 60950-22, Safety of Information Technology Equipment.

Equipment Modifications

This equipment must be installed and used in strict accordance with the instructions given in the user documentation. This equipment contains no user-serviceable components. Unauthorized equipment changes or modifications will invalidate all applicable regulatory certifications and approvals.

Liability

Every care has been taken in the preparation of this document. Please inform your local Axis office of any inaccuracies or omissions. Axis Communications AB cannot be held responsible for any technical or typographical errors and reserves the right to make changes to the product and documentation without prior notice. Axis Communications AB makes no warranty of any kind with regard to the material contained within this document, including, but not limited to, the implied warranties of merchantability and fitness for a particular purpose. Axis Communications AB shall not be liable nor responsible for incidental or consequential damages in connection with the furnishing, performance or use of this material. This product is only to be used for its intended purpose.

RoHS

This product complies with both the European RoHS directive, 2002/95/EC, and the Chinese RoHS regulations, ACPEIP.



WEEE Directive

The European Union has enacted a Directive 2002/96/EC on Waste Electrical and Electronic Equipment (WEEE Directive). This directive is applicable in the European Union member states. The WEEE marking on this product (see right) or its documentation indicates that the product must not be disposed of together with household waste. To prevent possible harm to human health and/or the environment, the product must be disposed of in an approved and environmentally safe recycling process. For further information on how to dispose of this product correctly, contact the product supplier, or the local authority responsible for waste disposal in your area. Business users should contact the product supplier for information on how to dispose of this product correctly. This product should not be mixed with other commercial waste.



Support

Should you require any technical assistance, please contact your Axis reseller. If your questions cannot be answered immediately, your reseller will forward your queries through the appropriate channels to ensure a rapid response. If you are connected to the Internet, you can:

- download user documentation and firmware updates
- find answers to resolved problems in the FAQ database. Search by product, category, or phrases
- report problems to Axis support by logging in to your private support area

Contact Information

Axis Communications AB
Emdalavägen 14
223 69 Lund
Sweden
Tel: +46 46 272 18 00
Fax: +46 46 13 61 30
www.axis.com

Safeguards

Please read through this Installation Guide carefully before installing the Axis product. Keep the Installation Guide for further reference.

NOTICE

- Only use applicable tools when installing the Axis product; excessive force could cause damage to the product.
- Do not use chemicals, caustic agents, or aerosol cleaners. Use a damp cloth for cleaning.
- Use only accessories that comply with technical specification of the product. These can be provided by Axis or a third party.

Important

- The Axis product should be installed by a trained professional. Observe relevant national and local regulations for the installation.

Transportation

NOTICE

- When transporting the Axis product, use the original packaging or equivalent to prevent damage to the product.

AXIS T98A-VE Series Installation Guide

This Installation Guide provides instructions for installing AXIS T98A15-VE/T98A16-VE/T98A17-VE/T98A18-VE/T98A19-VE Surveillance Cabinet.

Installation Steps

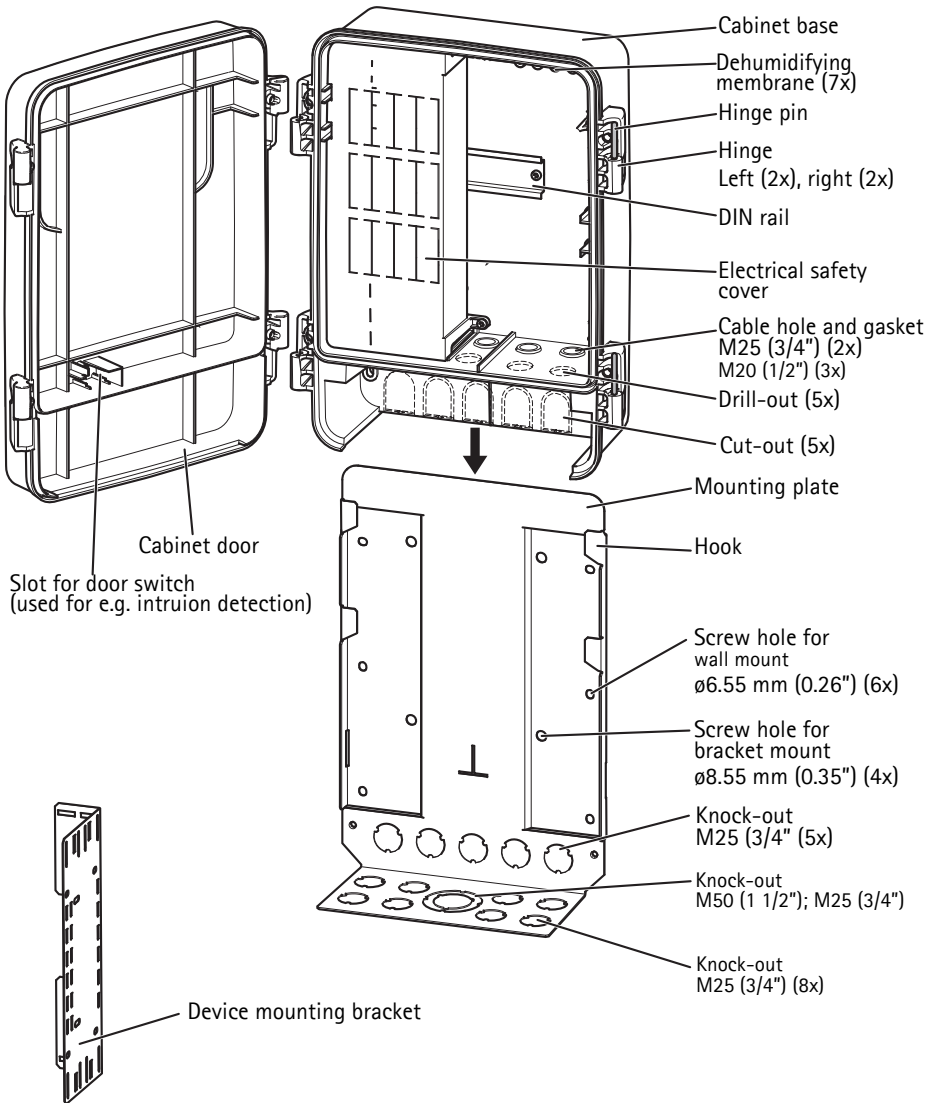
1. Check the package contents against the list below.
2. Hardware overview. See page 6.
3. Install the hardware. See page 9.
 - *Install the Mounting Plate*, see page 9
 - *Install the Cabinet Base*, see page 12.
 - *Connect the Cables*, see page 13.
 - *Attach the Sunshield (sold separately)*, see page 15.




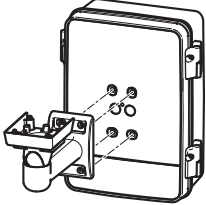





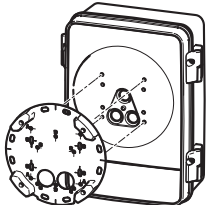





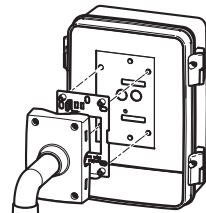



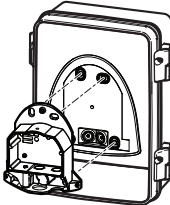



ENGLISH

1 Package Contents

Item	Models/variants/notes	
Surveillance Cabinet	AXIS T98A15-VE, including screw kit	See illustrations on page 7
	AXIS T98A16-VE, including screw kit	
	AXIS T98A17-VE, including screw kit	
	AXIS T98A18-VE, including screw kit	
	AXIS T98A19-VE, including screw kit	
Printed materials	AXIS T98A-VE Series Installation Guide (this document)	
Optional accessories	Sunshield Corner mount, pole mount Electrical safety kit 120/230 V AC, including door switch (for e.g. intrusion detection) Midspan Media converter switch Power supply See www.axis.com for information on available accessories	

2 Hardware Overview



 <p>AXIS T98A15-VE</p>	 <p>Cable tie (6x)</p>  <p>Cable clamp (1x)</p>
 <p>AXIS T98A16-VE (bracket sold separately)</p>	 <p>Screw T30 (4x)</p>  <p>Washer T20 (4x)</p>  <p>Cable gasket M20 (2x)</p>  <p>Cable clamp (5x)</p>  <p>Cable clamp (2x)</p>
 <p>AXIS T98A17-VE (bracket sold separately)</p>	 <p>Screw T20 (4x)</p>  <p>Washer T20 (4x)</p>  <p>Cable gasket M20 (3x)</p>  <p>Screw (12x)</p>  <p>Screw (2x)</p>
 <p>AXIS T98A18-VE (bracket sold separately)</p>	 <p>Screw T30 (6x)</p>  <p>Washer T20 (6x)</p>  <p>Cable gasket M20 (2x)</p>
 <p>AXIS T98A19-VE (bracket sold separately)</p>	 <p>Screw T30 (4x)</p>  <p>Washer T20 (4x)</p>  <p>Cable gasket M20 (2x)</p>

Screw Torque Guide

Screw	Torque	
Secure cabinet base to mounting plate	3.0 Nm \pm 0.2	2.21 lb-ft \pm 0.15
Attach electrical safety cover to cabinet base	0.8 Nm \pm 0.1	0.59 lb-ft \pm 0.07
Attach cabinet door to cabinet base	3.5 Nm \pm 0.2	2.58 lb-ft \pm 0.15
Screws for attaching various items inside the cabinet	0.8 Nm \pm 0.1	0.59 lb-ft \pm 0.07
Attach network camera bracket to cabinet cover AXIS T98A16-VE	3.0 Nm \pm 0.2	2.21 lb-ft \pm 0.15
Attach network camera bracket to cabinet cover AXIS T98A17-VE	1.2 Nm \pm 0.2	0.89 lb-ft \pm 0.15
Attach network camera bracket to cabinet cover AXIS T98A18-VE	3.0 Nm \pm 0.2	2.21 lb-ft \pm 0.15
Attach network camera bracket to cabinet cover AXIS T98A19-VE	3.0 Nm \pm 0.2	2.21 lb-ft \pm 0.15

3 Install the Hardware

NOTICE

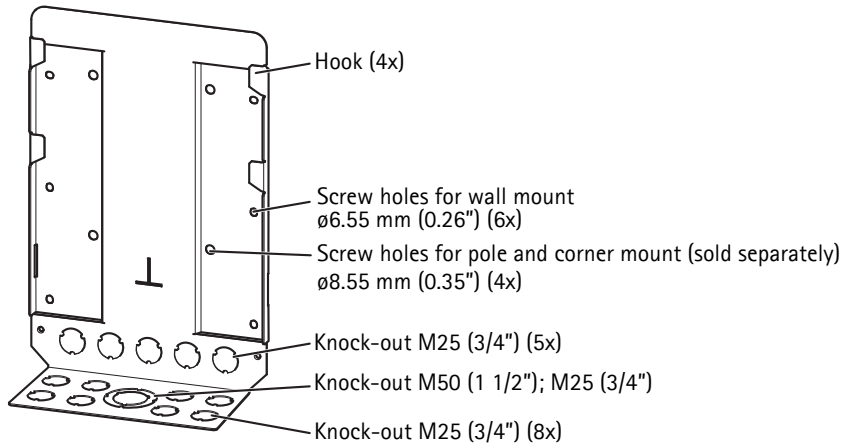
- The electrical connections shall be made by a certified electrician.
- To avoid condensation, do not assemble or disassemble the product during rain.

Note

- The hinges have a stop that locks the cabinet door at 105°.
- The cabinet door can be left or right hinged; move the hinge pins to the preferred side.
- For easy installation, the cabinet door can be removed while installing the cabinet base.

Install the Mounting Plate

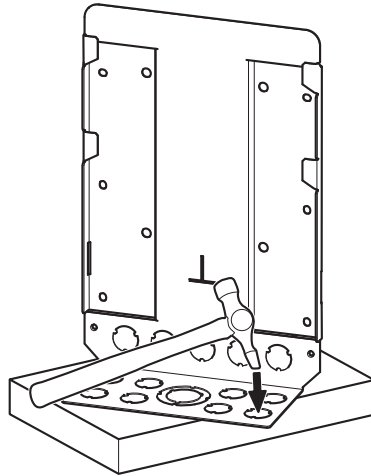
1. Install the selected mounting bracket (corner mount/pole mount – sold separately) according to the instructions supplied with the mounting bracket. If drilling is required, make sure to use drill bits, screws, and plugs that are appropriate for the material. See www.axis.com for information on available mounting accessories.
2. Remove knock-outs for the cables in the mounting plate as required.



Note

- For cables routed from below, use the bottom knock-outs. For cables routed from behind, use the rear knock-outs.

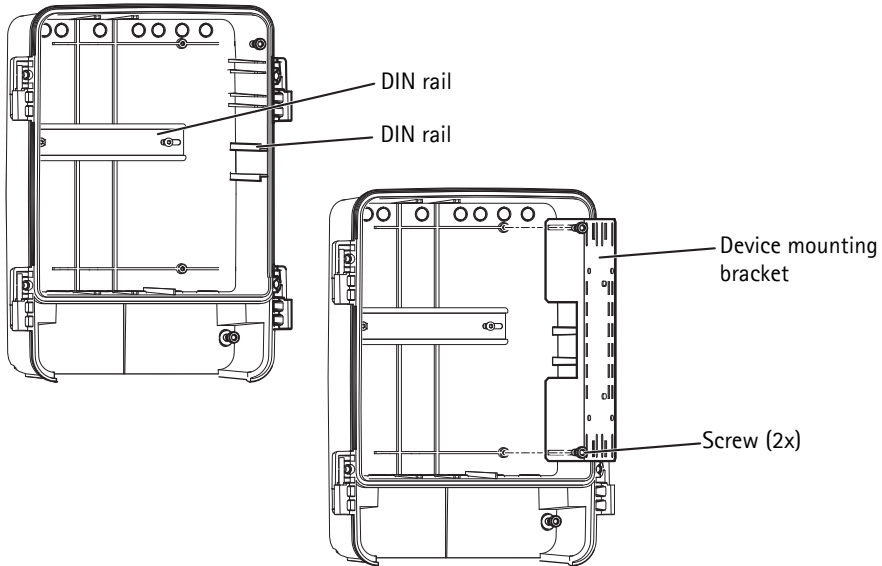
- To remove a knock-out, strike the knock-out with a cross pein hammer until the knock-out pops out. Make sure to provide support for the mounting plate so it will remain flat and not bend.



3. Mount the mounting plate on the wall or the selected bracket.

Install the Devices

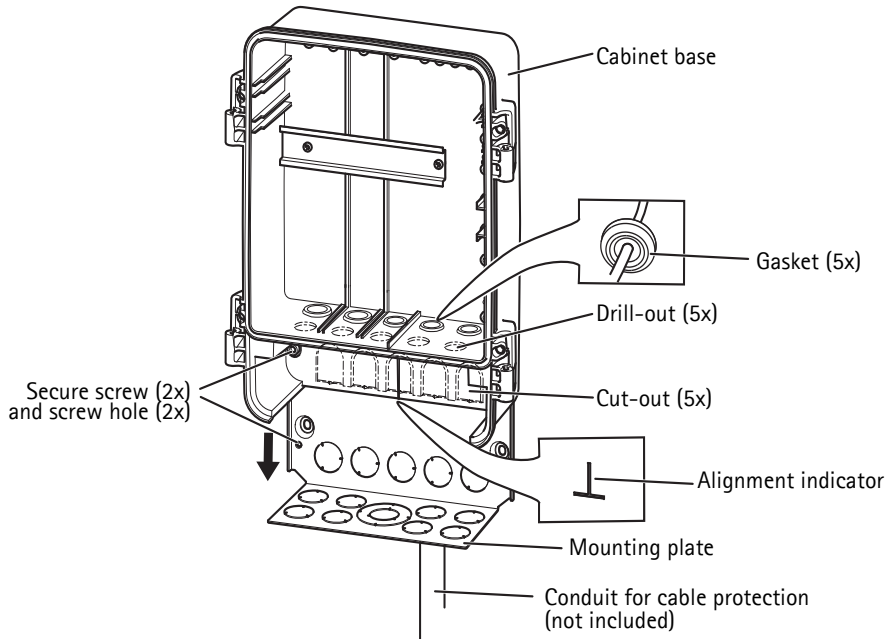
1. The included device mounting bracket can be used for attaching devices such as power supplies or midspans. Attach these devices to the device mounting bracket with the supplied cable ties or attached them to the DIN rail in the cabinet.
2. If applicable, attach the device mounting bracket to the cabinet base using the supplied screws.



3. Snap on the other devices required for the installation, for example an electrical safety kit (sold separately), surge protectors, or switches to the DIN rail according to the manufacturers' instructions. Additional DIN rails (not included) can be attached to the cabinet as required.

Install the Cabinet Base

1. If required, open drill-outs or cut-outs for extra cable holes in the cabinet base. Markings indicate where these cable holes can be drilled or cut out.



2. Hang the cabinet base on the hooks of the mounting plate. Align the lower end of the cabinet with the alignment indicator for easy access while connecting the cables.
3. Connect the cables, see page 13.
4. Slide the cabinet base to the bottom position and secure it to the mounting plate with the secure screws (torque 3.0 Nm \pm 0.2).

Connect the Cables

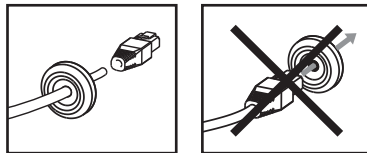
⚠ DANGER

- The electrical connections and conduit installations shall be made by a certified electrician and in compliance with local regulations.
- The power supply shall always be connected to the mains supply at the end of the installation and not before.

NOTICE

- Cable gaskets shall be attached to all open cable holes in the cabinet base to maintain the product's IP rating. If the holes are not sealed, water may seep into the cabinet and cause damage to the devices inside.
- Cables routed through M20 gaskets shall have a diameter of 3.5 mm – 12.5 mm (0.14" – 0.49").
- Cables routed through M25 gaskets shall have a diameter of 9.1 mm– 12.5 mm (0.36" – 0.49").
- Signal and power cables shall always be separated within the cabinet.

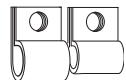
To prepare a cable with a gasket, gently force the cable through the gasket provided and attach the appropriate connector. It may be necessary to pierce a hole in the gasket with a screwdriver.



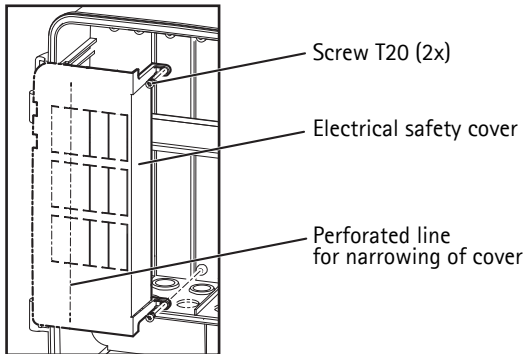
NOTICE

- Do not force the connector into the gasket.
- Do not pierce the gasket with a knife or other sharp object.

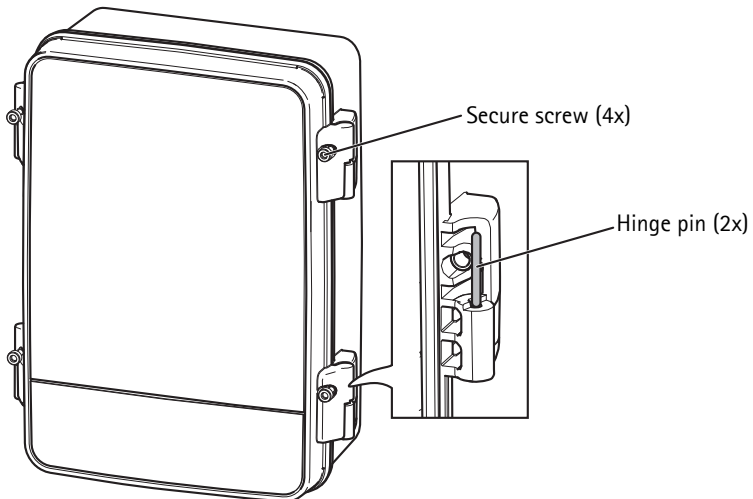
1. Route the cables required for the installation through conduits (not included), cable gaskets and cable holes.
2. Attach the cable gaskets to the cable holes.
3. Connect the cables to and between the devices, except the power supply, according to the manufacturers' instructions. Use the supplied cable clamps to keep the cables organized. If installing an Axis network camera on the door, refer to *Install an Axis Network Camera (sold separately)*, on page 15.
4. If required, narrow the supplied electrical safety cover by cutting along the perforated line.
5. Open slots in the electrical safety cover as required by breaking the tabs.
6. Connect the power supply to the mains supply.



- Attach the electrical safety cover using the supplied screws (torque $0.8 \text{ Nm} \pm 0.1$).



- Switch on the mains supply.
- Move the hinge pins to the preferred side and hang the door on the hinges.
- Close the cabinet door and secure it with the secure screws (torque $3.5 \text{ Nm} \pm 0.2$).



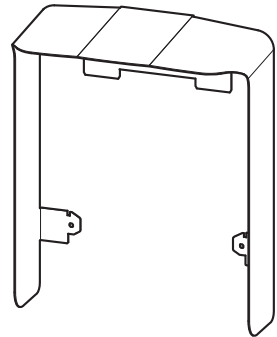
Install an Axis Network Camera (sold separately)

1. If applicable, route the required cables through the camera bracket.
2. Route the required cables through the supplied cable gaskets. See *Connect the Cables*, on page 13 for instructions on how to prepare a cable with a gasket.
3. Attach the cable gaskets to the cable holes in the cabinet door.
4. Connect the cables between the camera and the devices as required.
5. If available, use the safety wire to prevent the camera from falling.
6. Attach the camera to the cabinet door or, if applicable, to the camera bracket. See the screw torque guide on page 8.

For more information on how to install Axis network products, please refer to the Installation Guide supplied with the product or available from www.axis.com

Attach the Sunshield (sold separately)

Attach the sunshield (sold separately) according to the supplied instructions. The sunshield protects the cabinet from sunlight and rain.



Technical Specifications

Function/group	Item	Specifications
Surveillance Cabinet	Model	AXIS T98A15-VE AXIS T98A16-VE AXIS T98A17-VE AXIS T98A18-VE AXIS T98A19-VE
General	Casing	Polycarbonate
	Environment	Indoor/outdoor
	Operating conditions	-40 °C to +75 °C (-40 °F to 167 °F) Humidity 15 – 100% RH (condensing)
	Approvals	IEC 60068-2-6, IEC 60068-2-27 IEC/EN/UL 60950-1, IEC/EN/UL 60950-22 IEC 60529 IP66, IEC 62262 IK10, Type 4x enclosure UL 50, UL 50E
	Weight	2.4 kg (5.1 lb.) AXIS T98A16-VE, AXIS T98A18-VE: 2.5 kg (5.5 lb.)
	Dimensions	131 mm x 282 mm x 361 mm (5.2" x 11.1" x 14.2")
	Included Accessories	Pre-mounted cable gaskets, pre-mounted DIN rail, mounting plate, cable clamps, cable straps, electrical safety cover, device mounting bracket, Installation Guide
	Optional Accessories	Corner bracket, pole mount bracket, sunshield, cable gasket, electrical safety kit, midspan, media converter switch, power supply

Further Information

Visit Axis learning center www.axis.com/academy for useful trainings, webinars, tutorials and guides.

Warranty

For information about Axis' product warranty and thereto related information, see www.axis.com/warranty

Mesures de sécurité

Lisez attentivement le présent Guide d'installation avant d'installer le produit Axis. Conservez le Guide d'installation pour une utilisation ultérieure.

AVIS

- N'utilisez que les outils applicables pour installer le produit Axis ; une force excessive pourrait endommager le produit.
- Pour le nettoyage, n'utilisez ni produits chimiques, ni substances caustiques ou aérosols. Utilisez un chiffon humide pour le nettoyage.
- N'utilisez que des accessoires conformes aux caractéristiques techniques du produit. Ceux-ci peuvent être fournis par Axis ou par un fournisseur tiers.

Important

- Le produit Axis doit être installé par un professionnel qualifié. Veuillez vous conformer aux règlements nationaux et locaux relatifs à l'installation.

Transport

AVIS

- Pour transporter le produit Axis et éviter de l'endommager, utilisez l'emballage d'origine ou un emballage équivalent.

AXIS T98A-VE Series

Guide d'installation

Ce Guide d'installation fournit des instructions pour l'installation de AXIS T98A15-VE/T98A16-VE/T98A17-VE/T98A18-VE/T98A19-VE Surveillance Cabinet.

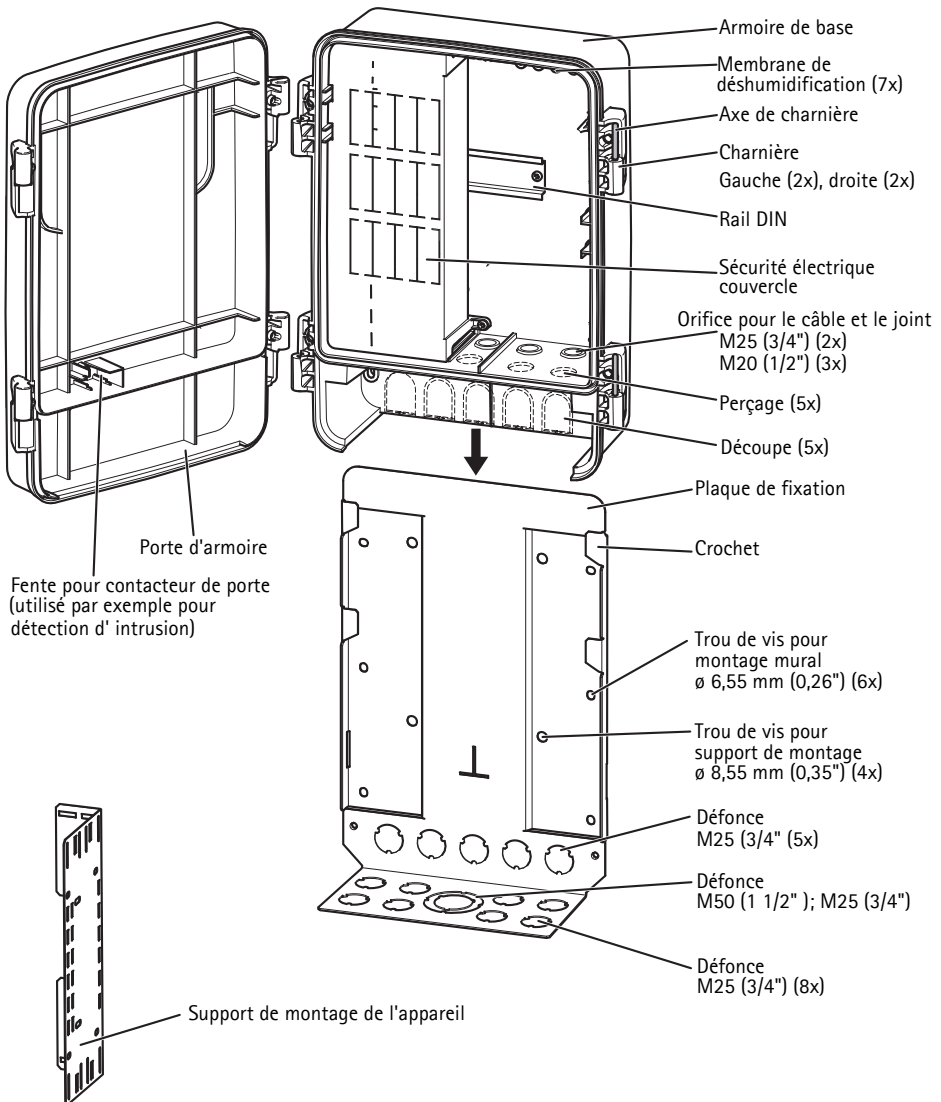
Procédure d'installation



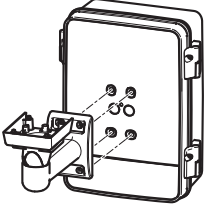





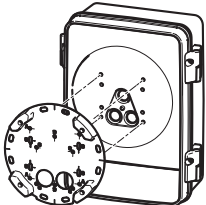




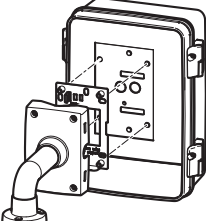
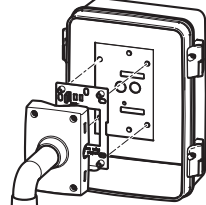



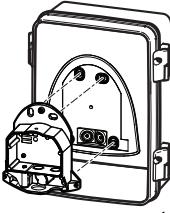
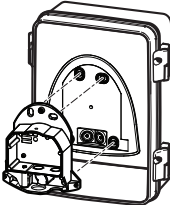



1. Vérification du contenu de l'emballage par rapport à la liste ci-dessous.
2. Aperçu du matériel. Voir page 20.
3. Installation du matériel. Voir page 23.
 - *Installer la plaque de montage*, voir page 23
 - *Installer l'armoire de base*, voir. page 26
 - *Branchez les câbles*, voir. page 27
 - *Fixer le pare-soleil (vendu séparément)*, voir. page 29

1 Contenu de la boîte

Élément	Modèles/variantes/remarques	
Armoire de surveillance	AXIS T98A15-VE, kit de vis compris	Voir les illustrations sur page 21
	AXIS T98A16-VE, kit de vis compris	
	AXIS T98A17-VE, kit de vis compris	
	AXIS T98A18-VE, kit de vis compris	
	AXIS T98A19-VE, kit de vis compris	
Documentation imprimée	AXIS T98A-VE Series Guide d'installation (ce document)	
Accessoires en option	Pare-soleil Support pour montage en angle, support pour montage sur mât Trousse de sécurité électrique 120/230 V CA, incluant contacteur de porte (par exemple, pour détection d'intrusion) Injecteur PoE Switch convertisseur de média Alimentation Consultez le site www.axis.com pour obtenir plus de renseignements sur les accessoires disponibles	

2 Présentation du matériel



 <p>AXIS T98A15-VE</p>		 <p>Attache de câble (6x)</p>
 <p>AXIS T98A16-VE (support vendu séparément)</p>	 <p>Vis T30 (4x)</p>  <p>Rondelle T20 (4x)</p>  <p>Joint de câble M20 (2x)</p>	 <p>Collier de serrage du câble (1x)</p>  <p>Collier de serrage du câble (5x)</p>
 <p>AXIS T98A17-VE (support vendu séparément)</p>	 <p>Vis T20 (4x)</p>  <p>Rondelle T20 (4x)</p>  <p>Joint de câble M20 (3x)</p>	 <p>Collier de serrage du câble (2x)</p>  <p>Vis (12x)</p>
 <p>AXIS T98A18-VE (Support vendu séparément)</p>	 <p>Vis T30 (6x)</p>  <p>Rondelle T20 (6x)</p>  <p>Joint de câble M20 (2x)</p>	 <p>Vis (2x)</p>
 <p>AXIS T98A19-VE (Support vendu séparément)</p>	 <p>Screw T30 (4x)</p>  <p>Rondelle T20 (4x)</p>  <p>Joint de câble M20 (2x)</p>	

Guide pour Couple de serrage des vis

Vis	Couple	
	Nm	lb-pi
Sécuriser la case de l'armoire à la base de montage	3,0 Nm ± 0,2	2,21 lb-pi ± 0,15
Fixer le couvercle de sécurité électrique à la base de l'armoire	0,8 Nm ± 0,1	0,59 lb-pi ± 0,07
Fixer la porte de l'armoire à la base de l'armoire	3,5 Nm ± 0,2	2,58 lb-pi ± 0,15
Vis de fixation pour différents éléments à l'intérieur du cabinet	0,8 Nm ± 0,1	0,59 lb-pi ± 0,07
Fixer le support de caméra réseau au couvercle de l'armoire AXIS T98A16-VE	3,0 Nm ± 0,2	2,21 lb-pi ± 0,15
Fixer le support de caméra réseau au couvercle de l'armoire AXIS T98A17-VE	1,2 Nm ± 0,2	0,89 lb-pi ± 0,15
Fixer le support de caméra réseau au couvercle de l'armoire AXIS T98A18-VE	3,0 Nm ± 0,2	2,21 lb-pi ± 0,15
Fixer le support de caméra réseau au couvercle de l'armoire AXIS T98A19-VE	3,0 Nm ± 0,2	2,21 lb-pi ± 0,15

3 Installer le matériel

AVIS

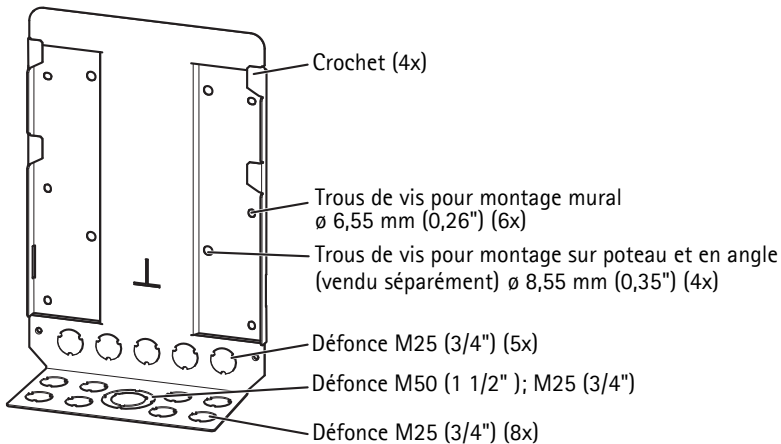
- Les connexions électriques doivent être effectuées par un électricien certifié.
- Pour éviter la condensation, ne pas monter ou démonter le produit lorsqu'il pleut.

Note

- Les charnières possèdent un arrêt qui verrouille la porte de l'armoire à 105°.
- La porte de l'armoire peut être à ouverture droite ou gauche; déplacer les axes de charnière sur le côté voulu.
- Pour une installation facile, la porte de l'armoire peut être démontée pendant l'installation de l'armoire de base.

Installer la plaque de montage

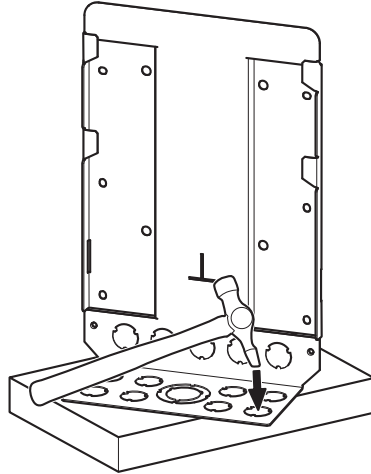
1. Installer le support de montage (Support pour montage en angle, support pour montage sur mât - vendus séparément) selon les instructions fournies avec le support de montage. S'il s'avère nécessaire de percer, vérifiez que les forets, les vis et les chevilles à utiliser soient appropriés pour le matériau. Consultez le site www.axis.com pour obtenir plus de renseignements sur les accessoires de montage disponibles.
2. Effectuer les défonces pour les passages de câbles sur la plaque de montage comme requis.



Note

- Pour les câbles acheminés par le dessous, utiliser les défonces du bas Pour les câbles acheminés par derrière, utiliser les défonces arrière.

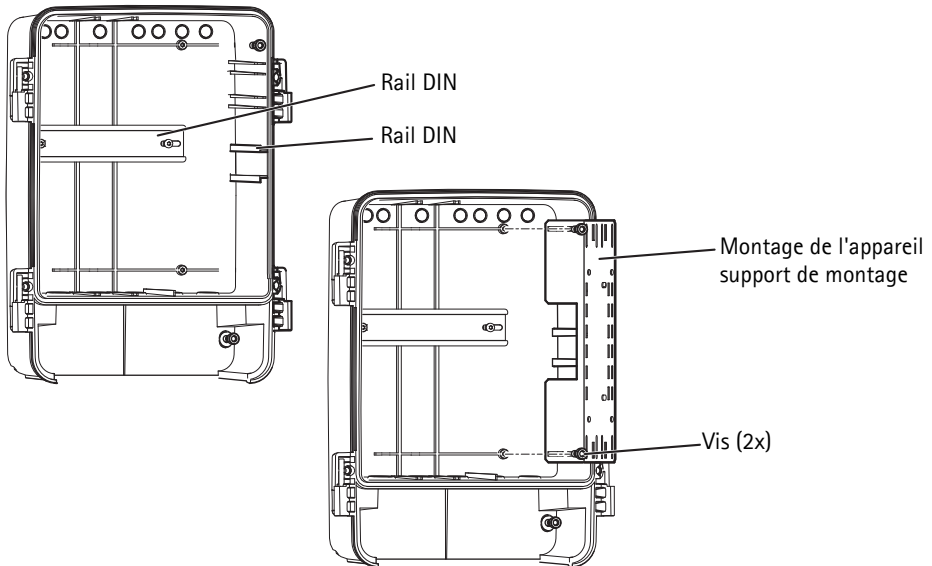
- Pour enlever une défonce, frapper l'emplacement avec un marteau à panne ronde jusqu'à ce que la défonce sorte. Assurez-vous de fournir un appui pour la plaque de montage pour lui permettre de rester à plat et de ne pas plier.



3. Monter la plaque de montage sur le mur ou sur le support sélectionné.

Installer les appareils

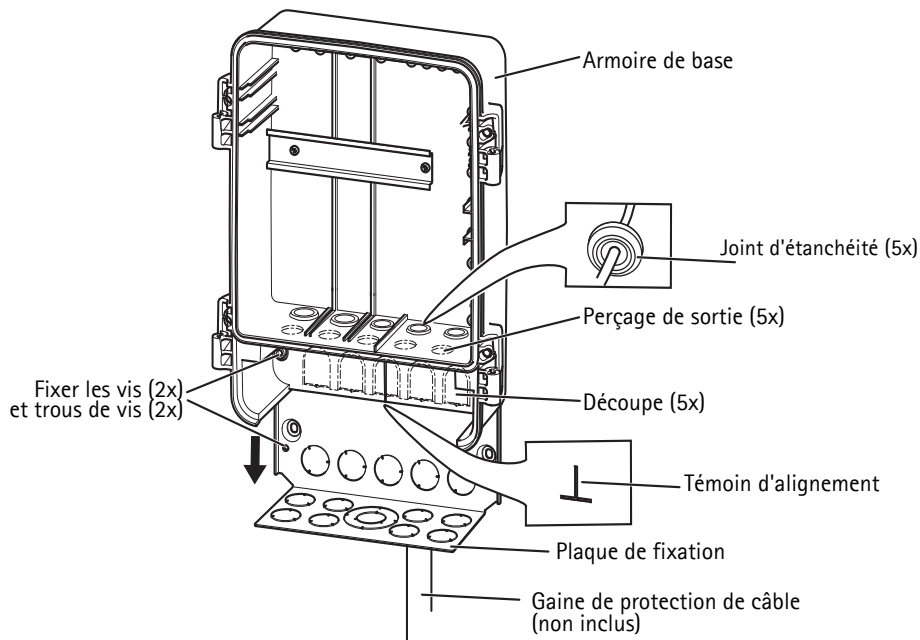
1. Le support de montage de l'appareil peut être utilisé pour connecter des périphériques, tels que les blocs d'alimentation ou l'injecteur PoE. Fixer ces périphériques à la plaque de montage avec les attaches de câble fournies ou les monter sur le rail DIN dans l'armoire.
2. Si applicable, fixer le support de montage du dispositif de l'armoire de base en utilisant les vis fournies.



3. Installez les autres périphériques requis pour l'installation; par exemple, une trousse sécurité électrique (vendue séparément), les parasurtenseurs ou les commutateurs sur le rail DIN selon les instructions des fabricants. Les rails DIN (non inclus) peuvent être fixés au cabinet comme requis.

Installer l'armoire de base

1. Si nécessaire, effectuer des perçages et des découpes pour des passages de câbles supplémentaires dans l'armoire de base. Les marquages indiquent l'endroit où ces passages de câble peuvent être percés ou découpés.



2. Accrocher l'armoire de base sur les crochets de la plaque de montage. Aligner l'extrémité inférieure de l'armoire avec l'indicateur d'alignement pour faciliter l'accès lors de la connexion des câbles.
3. Connecter les câbles, reportez-vous à la section page 27.
4. Faire glisser l'armoire de base à la position inférieure et la fixer à la plaque de montage avec les vis de fixation (couple $3,0 \text{ Nm} \pm 0,2$).

Branchez les câbles

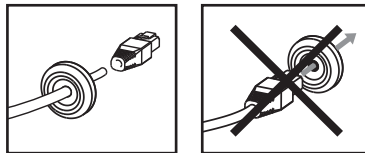
⚠ DANGER

- Les connexions électriques et les gaines d'installation doivent être effectuées par un électricien certifié, et selon les réglementations locales.
- La tension d'alimentation doit toujours être connectée à l'alimentation secteur à la fin de l'installation et pas avant.

AVIS

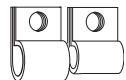
- Les joints d'étanchéité pour câbles doivent être placés sur tous les orifices de câbles dans l'armoire de base pour maintenir l'indice IP de l'installation. Si les trous ne sont pas bouchés, l'eau peut s'infiltrer dans le boîtier et endommager les appareils à l'intérieur.
- Les câbles acheminés à travers des joints d'étanchéité M20 doivent avoir un diamètre de 3,5 mm - 12,5 mm (0,14" - 0,49").
- Les câbles acheminés à travers des joints d'étanchéité M25 doivent avoir un diamètre de 9,1 mm - 12,5 mm (0,36" - 0,49").
- Les câbles de signal et d'alimentation doivent toujours être séparés dans l'armoire.

Pour passer un câble dans un joint, forcer doucement sur le câble à travers le joint fourni et fixer le connecteur approprié. Il peut être nécessaire de percer un trou dans le joint à l'aide d'un tournevis.

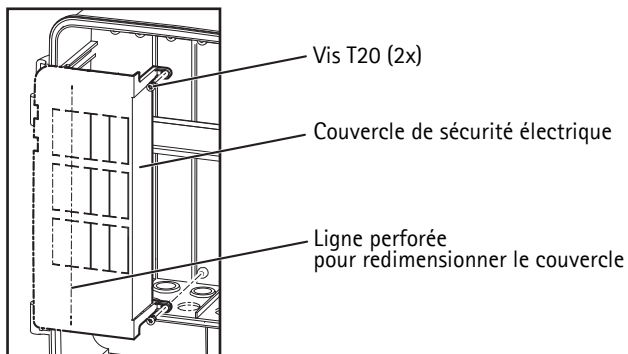


AVIS

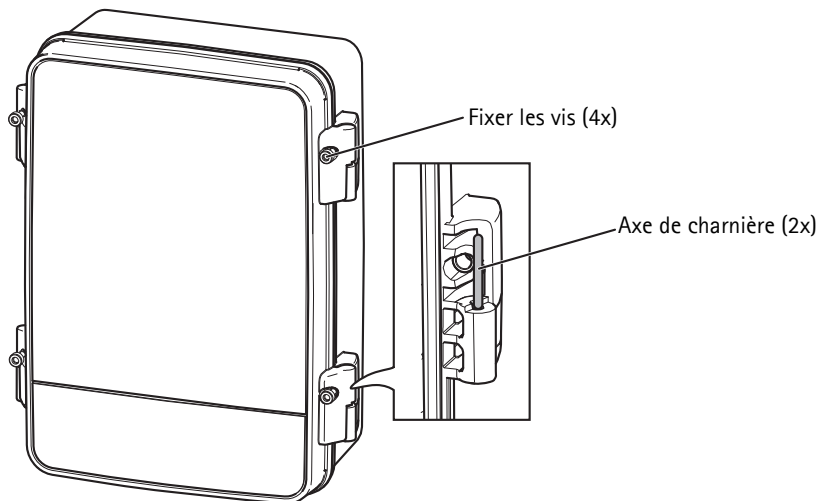
- Ne pas forcer le connecteur dans le joint.
 - Ne pas percer le joint avec un couteau ou tout autre objet tranchant.
1. Acheminer les câbles nécessaires pour l'installation dans les gaines (non incluses), les joints et les passages de câbles.
 2. Fixer les joints de câbles aux passages du câble.
 3. Connecter les câbles aux périphériques, à l'exception de l'alimentation, selon les instructions des fabricants. Utiliser les colliers de câble fournis pour organiser les câbles. Pour l'installation d'une caméra réseau sur une porte, reportez-vous à la *Installer une caméra réseau AXIS (vendue séparément)*, page 29.
 4. Si nécessaire, redimensionner le couvercle de sécurité fourni en le coupant le long de la ligne perforée.
 5. Ouvrir des fentes dans le couvercle de sécurité électrique, tel que requis, en brisant les tablettes.
 6. Connecter le bloc d'alimentation à l'alimentation secteur.



7. Fixer le couvercle de sécurité électrique à l'aide des vis fournies (couple $0,8 \text{ Nm} \pm 0,1$).



8. Allumez l'alimentation secteur.
9. Déplacer les axes de charnière sur le côté préféré et accrocher la porte sur les charnières.
10. Fermer et fixer la porte de l'armoire avec les vis de fixation (couple $3,5 \text{ Nm} \pm 0,2$).



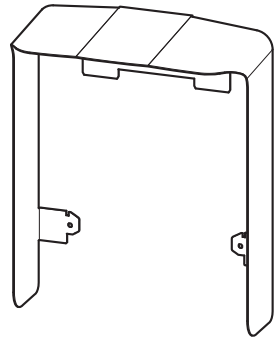
Installer une caméra réseau AXIS (vendue séparément)

1. Si applicable, acheminer les câbles requis à travers le support de la caméra.
2. Acheminer les câbles requis à travers les joints fournis. Voir *Branchez les câbles*, page 27 pour obtenir des instructions sur la façon de préparer un câble avec un joint .
3. Fixer les joints de câble sur les orifices de câbles dans la porte de l'armoire.
4. Connecter les câbles entre la caméra et les périphériques comme requis.
5. Si disponible, utiliser le câble de sécurité pour empêcher la chute de la caméra.
6. Fixer la caméra sur la porte de l'armoire ou, le cas échéant, au support de la caméra. Voir le guide des couples de serrage des vis sur page 22.

Pour obtenir plus de renseignements sur la façon d'installer les produits AXIS réseau, veuillez vous reporter au Guide d'installation fourni avec le produit ou disponible sur www.axis.com

Fixer le pare-soleil (vendu séparément)

Fixer le pare-soleil (vendu séparément) selon les instructions fournies. Le pare-soleil protège le coffret de la lumière du soleil et de la pluie.



Caractéristiques techniques

Fonction/groupe	Élément	Caractéristiques techniques
Armoire de surveillance	Modèle	AXIS T98A15-VE AXIS T98A16-VE AXIS T98A17-VE AXIS T98A18-VE AXIS T98A19-VE
Général	Boîtier	En polycarbonate
	Environnement	Intérieur/Extérieur
	Conditions d'utilisation	- 40 °C à + 75 °C (- 40 °F à 167 °F) Humidité 15 - 100 % HR (sans condensation)
	Agréments	IEC 60068-2-6, CEI 60068-2-27 IEC/EN/UL 60950-1, IEC/EN/UL 60950-22 CEI 60529 IP66, CEI 62262 IK10, Boîtier type 4x UL 50, UL 50E
	Poids	2,4 kg (5,1 lb.) AXIS T98A16-VE, AXIS T98A18-VE : 2,5 kg (5,5 lb.)
	Dimensions	131 mm x 282 mm x 361 mm (5.2" x 11.1" x 14.2")
	Accessoires inclus	Guide d'installation, joints de câbles pré-montés, rail DIN pré-monté, plaque de fixation, colliers de câble, attaches de câble électrique, couvercle de sécurité, support de montage du dispositif.
	Accessoires en option	Support de montage en angle, support de montage sur mât, pare-soleil, joint de câble, trousse de sécurité électrique, injecteur PoE, Switch convertisseur de média, alimentation.

Pour obtenir plus de renseignements

Visitez le Centre d'apprentissage AXIS : www.axis.com/academy pour obtenir des formations, des webinaires, des didacticiels et des guides utiles.

Garantie

Pour obtenir plus de renseignements sur la garantie produit AXIS et des renseignements connexes, voir www.axis.com/warranty

Sicherheitsvorkehrungen

Bitte lesen Sie diese Installationsanleitung sorgfältig durch, bevor Sie mit der Installation des Axis Produkts beginnen. Halten Sie die Installationsanleitung bereit, falls Sie darauf zurückgreifen müssen.

HINWEIS

- Verwenden Sie bei der Installation des Axis Produkts nur geeignetes Werkzeug; zu hoher Kraftaufwand kann das Produkt beschädigen.
- Verwenden Sie keine chemischen, ätzenden oder aerosolhaltigen Reinigungsmittel. Verwenden Sie zur Reinigung ein feuchtes Tuch.
- Verwenden Sie nur Zubehör, das den technischen Spezifikationen des Produkts entspricht. Dieses ist von Axis oder Drittanbietern erhältlich.

Wichtig

- Das Axis Produkt sollte nur von geschultem Fachpersonal installiert werden. Beachten Sie bei der Montage die geltenden nationalen und lokalen Bestimmungen.

Transport

HINWEIS

- Transportieren Sie das Axis-Produkt nur in der Originalverpackung bzw. in einer vergleichbaren Verpackung, damit das Produkt nicht beschädigt wird.

AXIS T98A-VE Series Installationsanleitung

Diese Installationsanleitung gibt Anweisungen zur Installation AXIS T98A15-VE/T98A16-VE/T98A17-VE/T98A18-VE/T98A19-VE Surveillance Cabinet.

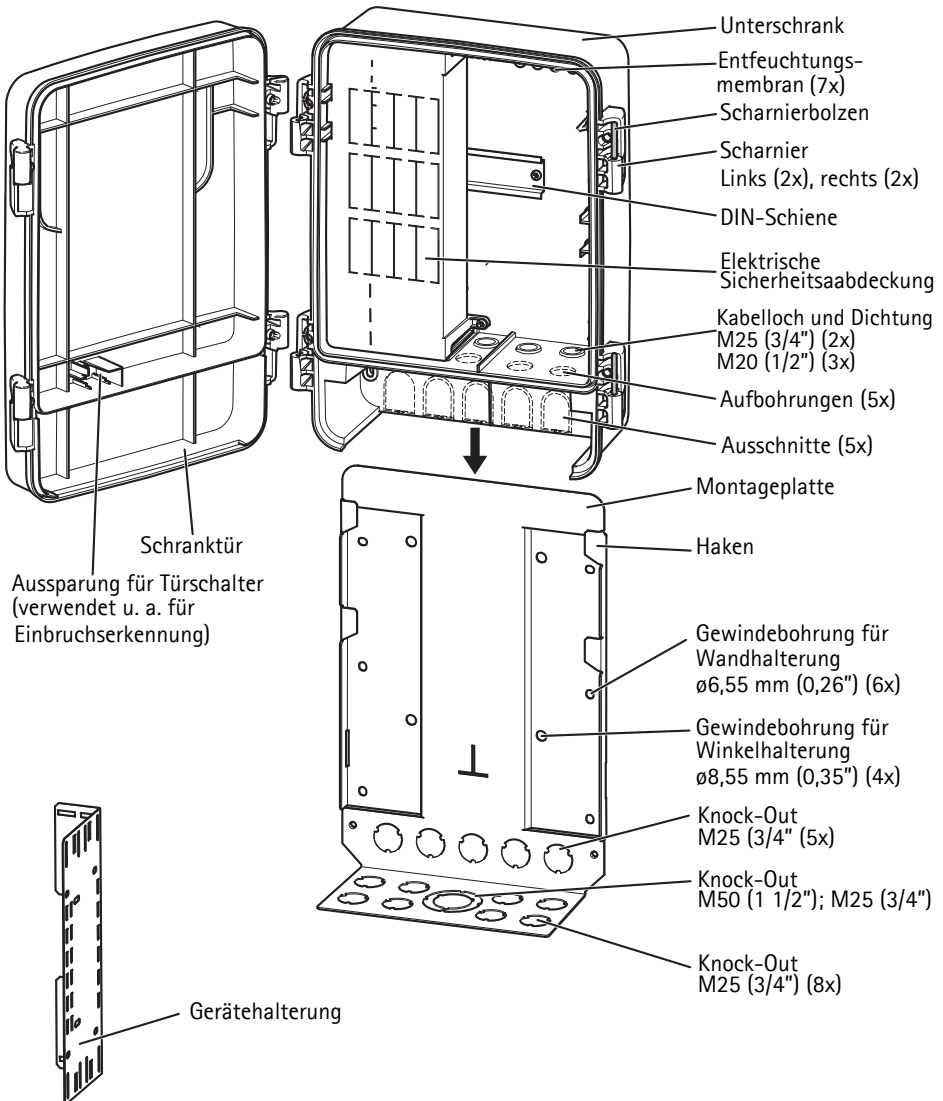
Installationschritte




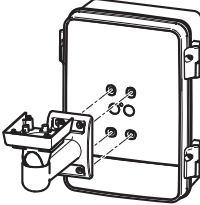





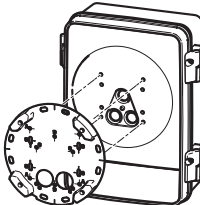





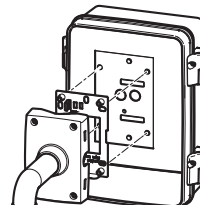



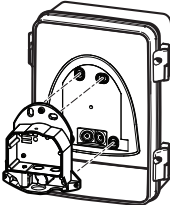



1. Prüfen Sie den Packungsinhalt anhand der nachfolgenden Liste.
2. Übersicht über die Hardware. Siehe Seite 34.
3. Installieren Sie die Hardware. Siehe Seite 37.
 - *Installieren der Montageplatte*, siehe Seite 37
 - *Installieren des Unterschranks*, siehe Seite 40.
 - *Anschließen der Kabel*, siehe Seite 41.
 - *Befestigen des Sonnenschutzes (separat erhältlich)*, siehe Seite 43.

1 Inhalt der Packung

Artikel	Modelle / Varianten / Hinweise	
Überwachungsschrank	AXIS T98A15-VE, einschließlich Schraubenset	Siehe Darstellungen auf Seite 35
	AXIS T98A16-VE, einschließlich Schraubenset	
	AXIS T98A17-VE, einschließlich Schraubenset	
	AXIS T98A18-VE, einschließlich Schraubenset	
	AXIS T98A19-VE, einschließlich Schraubenset	
GEDruckte Dokumente	AXIS T98A-VE Series Installationsanleitung (dieses Dokument)	
Optionales Zubehör	Sonnenschutz Adapter für Eckmontage, Adapter für Hochständermontage Set zur elektrischen Sicherheit 120/230 V AC, einschließlich Türschalter (für z. B. Einbruchserkennung) Midspan Schalter für Medienkonverter Netzteil Unter www.axis.com finden Sie Informationen zum verfügbaren Zubehör	

2 Hardwareübersicht



 <p>AXIS T98A15-VE</p>		 <p>Kabelbinder (6x)</p>  <p>Kabelklemme (1x)</p>
 <p>AXIS T98A16-VE (Halterung separat erhältlich)</p>	 <p>Schraube T30 (4x)</p>  <p>Unterlegscheibe T20 (4x)</p>  <p>Kabdichtung M20 (2x)</p>	 <p>Kabelklemme (5x)</p>  <p>Kabelklemme (2x)</p>
 <p>AXIS T98A17-VE (Halterung separat erhältlich)</p>	 <p>Schraube T20 (4x)</p>  <p>Unterlegscheibe T20 (4x)</p>  <p>Kabdichtung M20 (3x)</p>	 <p>Schraube (12x)</p>  <p>Schraube (2x)</p>
 <p>AXIS T98A18-VE (Halterung separat erhältlich)</p>	 <p>Schraube T30 (6x)</p>  <p>Unterlegscheibe T20 (6x)</p>  <p>Kabdichtung M20 (2x)</p>	
 <p>AXIS T98A19-VE (Halterung separat erhältlich)</p>	 <p>Screw T30 (4x)</p>  <p>Unterlegscheibe T20 (4x)</p>  <p>Kabdichtung M20 (2x)</p>	

Schraubendrehmomentführer

Schraube	Drehmoment	
Unterschrank an der Montageplatte befestigen	3,0 Nm \pm 0,2	2,21 lb-ft \pm 0,15
Elektrische Schutzabdeckung an den Unterschrank befestigen	0,8 Nm \pm 0,1	0,59 lb-ft \pm 0,07
Schranktür am Unterschrank befestigen	3,5 Nm \pm 0,2	2,58 lb-ft \pm 0,15
Schrauben zum Befestigen von verschiedenen Dingen im Schrank	0,8 Nm \pm 0,1	0,59 lb-ft \pm 0,07
Halterung für die Netzwerkkamera zur Befestigung an der Schranktür AXIS T98A16-VE	3,0 Nm \pm 0,2	2,21 lb-ft \pm 0,15
Halterung für die Netzwerkkamera zur Befestigung an der Schranktür AXIS T98A17-VE	1,2 Nm \pm 0,2	0,89 lb-ft \pm 0,15
Halterung für die Netzwerkkamera zur Befestigung an der Schranktür AXIS T98A18-VE	3,0 Nm \pm 0,2	2,21 lb-ft \pm 0,15
Halterung für die Netzwerkkamera zur Befestigung an der Schranktür AXIS T98A19-VE	3,0 Nm \pm 0,2	2,21 lb-ft \pm 0,15

3 Installieren der Hardware

HINWEIS

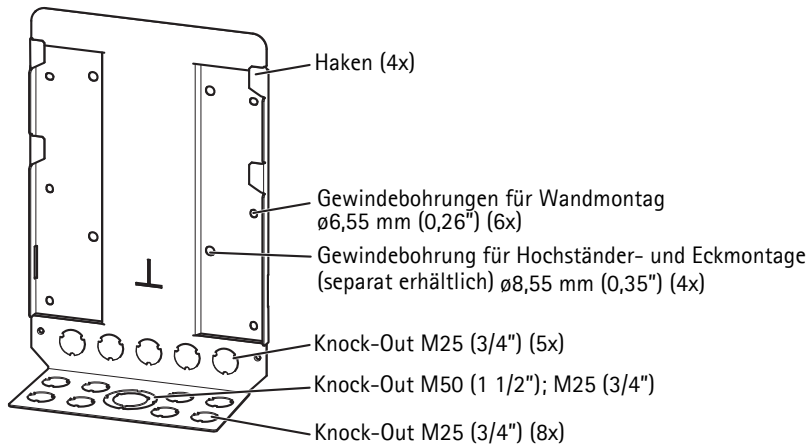
- Die elektrischen Verbindungen müssen von einem zertifizierten Elektriker gemacht werden.
- Um Kondensation zu vermeiden, bauen Sie das Produkt weder ein noch demontieren es, während es regnet.

Beachten

- Die Scharniere haben einen Anschlag, der die Schranktür bei 105° sperrt.
- Die Schranktür kann links oder rechts aufgehängt werden; setzen Sie die Scharnierbolzen in die bevorzugte Seite.
- Für eine einfache Installation kann die Schranktür während der Installation des Unterschanks entfernt werden.

Installieren der Montageplatte

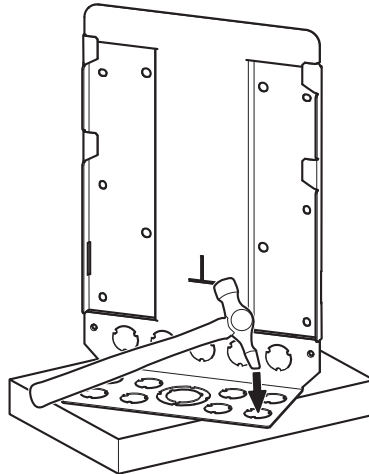
1. Installieren Sie die ausgewählte Montageplatte (Adapter für Eckmontage oder Hochständermontage - separat erhältlich) entsprechend der mitgelieferten Anleitung. Falls das Bohren von Löchern erforderlich ist, stellen Sie sicher, dass die Bohrerspitzen, Schrauben und Dübel für den Baustoff der Wand geeignet sind. Unter „www.axis.com“ finden Sie Informationen über verfügbares Montagezubehör.
2. Entfernen Sie die Knock-Outs für die Kabel von der Montageplatte, je nach Bedarf.



Beachten

- Für Kabel, die von unten verlegt werden, verwenden Sie die Knock-Outs an der Unterseite.
- Für Kabel, die von hinten verlegt werden, verwenden Sie die rückseitigen Knock-Outs.

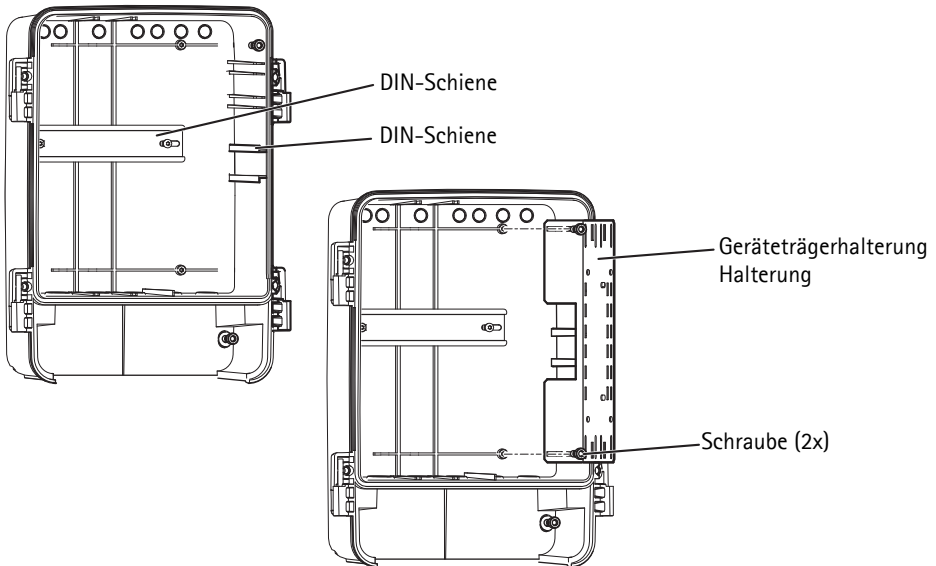
- Um ein Knock-Out zu entfernen, schlagen Sie auf das Knock-Out mit einem Kreuzschlammhammer bis der Knock-Out herauskommt. Achten Sie darauf, die Montageplatte zu unterstützen, damit sie flach bleibt und nicht biegt.



3. Montieren Sie die Montageplatte an der Wand oder an der ausgewählten Halterung.

Geräteinstallation

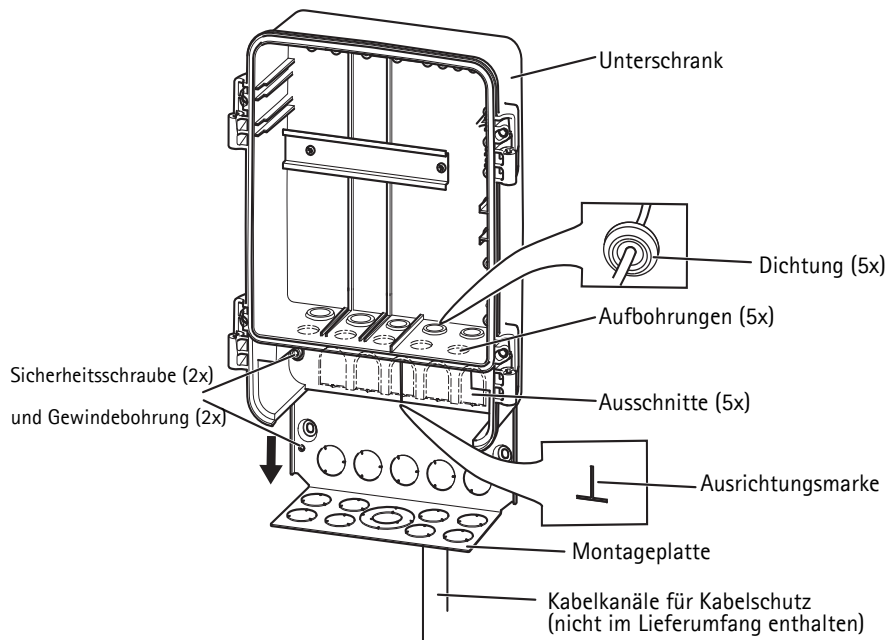
1. Die enthaltene Gerätehalterung kann verwendet werden, um Geräte wie Netzteile oder Midspans zu befestigen. Befestigen Sie diese Geräte am Wandhalterungsgerät mit den mitgelieferten Kabelbindern oder befestigen Sie sie an den DIN-Schienen im Schrank.
2. Falls zutreffend, befestigen Sie die Gerätehalterung am Unterschrank indem Sie die mitgelieferten Schrauben verwenden.



3. Für die Installation sind Druckknöpfe an den anderen Geräten erforderlich, z. B. für ein elektrisches Sicherheits-Set (separat erhältlich), Überspannungsschutz oder für einen Schalter für die DIN-Schienen, entsprechend den Anweisungen des Herstellers. Zusätzliche DIN-Schienen (nicht enthalten) können je nach Bedarf im Schrank ergänzt werden.

Installieren des Unterschranks

1. Falls notwendig, könne Sie für extra Kabellöcher Aufbohrungen oder Ausschnitte im Unterschrank öffnen. Markierungen zeigen an, wo diese Kabellöcher aufgebohrt oder ausgeschnitten werden können.



2. Hängen Sie den Unterschrank an die Haken der Montageplatte. Richten Sie das untere Ende des Unterschranks an der Übereinstimmungsmarkierung aus, damit Sie einen einfachen Zugang haben, während Sie die Kabel verbinden.
3. Für das Verbinden der Kabel, lesen Sie bitte auf Seite 41.
4. Schieben Sie den Unterschrank in die unterste Position und befestigen ihn mit den Sicherheitsschrauben an der Montageplatte (Drehmoment $3,0 \text{ Nm} \pm 0,2$).

Anschließen der Kabel

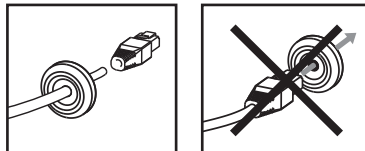
⚠ GEFAHR

- Die Installationen der elektrischen Verbindungen und Kabelkanäle müssen von einem zertifizierten Elektriker gemacht werden und in Übereinstimmung mit örtlichen Richtlinien.
- Das Netzteil darf immer erst am Ende der Installation und nicht vorher mit dem Versorgungsnetz verbunden werden.

HINWEIS

- Kabeldichtungen müssen in allen offenen Kabellöchern des Unterschranks angebracht werden, um die Produkt-Schutzart zu erhalten. Wenn die Löcher nicht verschlossen werden, kann gegebenenfalls Wasser in den Schrank eindringen und die Geräte innerhalb beschädigen.
- Kabelkanäle durch M20-Dichtungen sollten einen Durchmesser von 3,5 mm – 12,5 mm (0,14" – 0,49") haben.
- Kabelkanäle durch M25-Dichtungen sollten einen Durchmesser von 9,1 mm– 12,5 mm (0,36" – 0,49") haben.
- Signal- und Stromkabel müssen im Schrank immer voneinander getrennt sein.

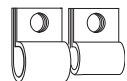
Um ein Kabel mit einer Dichtung zu präparieren, drücken Sie das Kabel vorsichtig durch die mitgelieferte Dichtung und befestigen Sie den entsprechenden Anschluss. Es kann notwendig sein, ein Loch in die Dichtung mit einem Schraubendreher zu bohren.



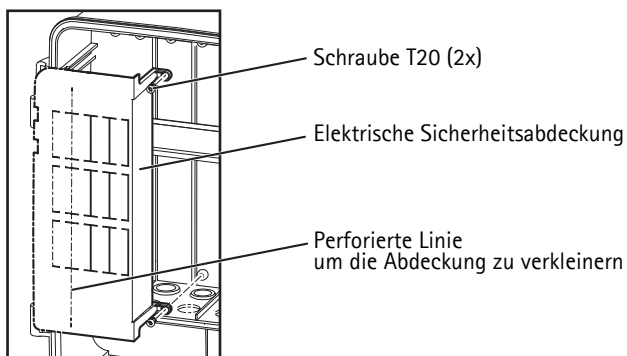
HINWEIS

- Drücken Sie den Anschluss nicht mit Gewalt in die Dichtung.
- Stechen Sie nicht mit einem Messer oder einem anderen scharfen Gegenstand in die Dichtung.

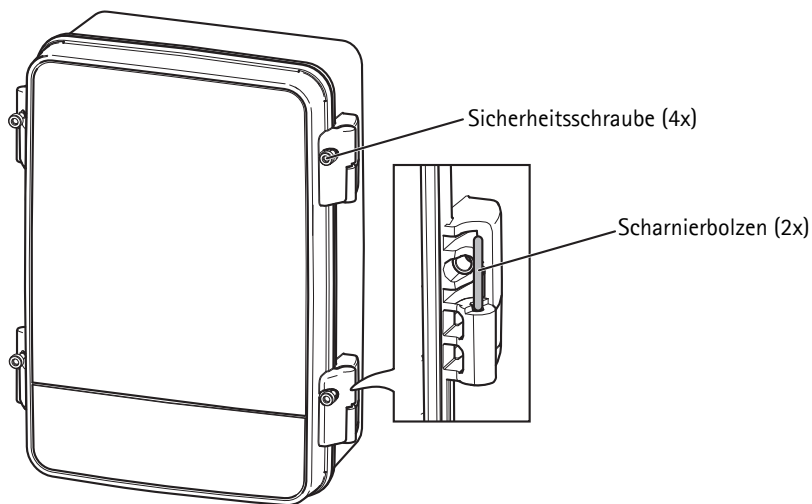
1. Für das Verlegen der Kabel durch die Kabelkanäle (nicht im Lieferumfang enthalten), werden Kabeldichtungen und Kabellöcher benötigt.
2. Befestigen Sie die Kabeldichtungen an den Kabellöchern.
3. Verbinden Sie die Kabel mit und zwischen den Geräten, mit Ausnahme des Netzteils, entsprechend den Anweisungen des Herstellers. Verwenden Sie die bereitgestellten Kabelklemmen, um die Kabel übersichtlich zu halten. Wenn Sie eine Axis Netzwerkkamera an der Tür installieren, finden Sie weitere Informationen unter *Installieren einer Axis Netzwerkkamera (separat erhältlich)*, auf Seite 43.
4. Falls notwendig, verkleinern Sie die bereitgestellte elektrische Sicherheitsabdeckung indem Sie entlang der perforierten Linie schneiden.



- Öffnen Sie Steckplätze in der elektrischen Sicherheitsabdeckung wie benötigt, indem Sie die Laschen brechen.
- Verbinden Sie das Netzteil mit dem Versorgungsnetz.
- Befestigen Sie die elektrische Sicherheitsabdeckung unter Verwendung der mitgelieferten Schrauben (Drehmoment $0,8 \text{ Nm} \pm 0,1$).



- Schalten Sie die Stromversorgung ein.
- Bewegen Sie die Scharnierbolzen an die bevorzugte Seite und hängen Sie die Tür in die Scharniere.
- Schließen Sie die Schranktür und befestigen sie mit dem Sicherheitsschrauben (Drehmoment $3,5 \text{ Nm} \pm 0,2$).



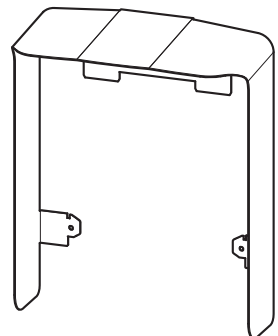
Installieren einer Axis Netzwerkkamera (separat erhältlich)

1. Falls zutreffend, verlegen Sie die notwendigen Kabel durch die Kabelhalterung.
2. Verlegen Sie die notwendigen Kabel durch die bereitgestellten Kabelhalterungen. Lesen Sie *Anschließen der Kabel*, auf Seite 41 um zu lernen, wie Sie die Kabel mit einer Dichtung präparieren.
3. Befestigen Sie die Kabeldichtungen mit dem Kabellöchern in der Schranktür.
4. Verbinden Sie die Kabel zwischen der Kamera und den Geräten wie vorgeschrieben.
5. Falls zutreffend, verwenden Sie den Sicherheitsdraht, um die Kamera davor zu bewahren herunterzufallen.
6. Befestigen Sie die Kamera an der Schranktür oder falls zutreffend, an der Kamerahalterung. Weitere Informationen finden Sie im Schraubendrehmomentführer auf Seite 36.

Für weitere Informationen, wie Sie ihre Axis Netzwerkprodukte installieren, lesen Sie bitte die mitgelieferten Installationsanleitungen der Produkte, bzw. die Anleitungen auf www.axis.com.

Befestigen des Sonnenschutzes (separat erhältlich)

Befestigen Sie den Sonnenschutz (separat erhältlich) entsprechend der bereitgestellten Informationen. Der Sonnenschutz schützt den Schrank von Sonne und Regen.



Technische Daten

Funktion/Gruppe	Artikel	Spezifikationen
Überwachungsschrank	Modell	AXIS T98A15-VE AXIS T98A16-VE AXIS T98A17-VE AXIS T98A18-VE AXIS T98A19-VE
Allgemeines	Gehäuse	Polycarbonat
	Umgebung	Innenräume/Außenbereich
	Betriebsbedingungen	-40 °C bis +75 °C (-40 °F bis 167 °F) Luftfeuchtigkeit 15 bis 100 % (kondensierend)
	Zulassungen	IEC 60068-2-6, IEC 60068-2-27 IEC/EN/UL 60950-1, IEC/EN/UL 60950-22 IEC 60529 IP66, IEC 62262 IK10, Typ 4x Gehäuse UL 50, UL 50E
	Gewicht	2,4 kg (5,1 lb.) AXIS T98A16-VE, AXIS T98A18-VE: 2,5 kg (5,5 lb.)
	Abmessungen	131 mm x 282 mm x 361 mm (5.2" x 11.1" x 14.2")
	Im Lieferumfang enthaltenes Zubehör	Vormontierte Kabeldichtungen, vormontierte DIN-Schienen, Montageplatte, Kabelklemmen, Kabelbinder, elektrische Sicherheitsabdeckung, Gerätehalterung, Installationsanleitung
Optionale Zubehörteile	Eckhalterung, Halterung für Hochständermontage, Sonnenschutz, Kabeldichtung, elektrisches Sicherheits-Set, Midspan, Schalter für Medienkonverter, Netzteil	

Weitere Informationen

Besuchen Sie das Axis-Lernzentrum www.axis.com/academy für nützliche Schulungen, Webinare, Lernprogramme, und Leitfäden.

Garantie

Informationen zur Axis Produktgarantie finden Sie unter www.axis.com/warranty

Sicurezza

Leggere attentamente questa Guida all'installazione prima di installare un prodotto Axis. Conservare la Guida all'installazione per ulteriori riferimenti.

AVVISO

- Utilizzare solo strumenti idonei quando si installa il prodotto Axis. Una forza eccessiva potrebbe danneggiare il prodotto.
- Non utilizzare sostanze chimiche, agenti caustici o detergenti spray. Utilizzare un panno umido per la pulizia.
- Utilizzare solo accessori conformi con le specifiche tecniche del prodotto. Queste possono essere fornite da Axis o da terze parti.

Importante

- Il prodotto Axis deve essere installato da un tecnico qualificato. Osservare le disposizioni nazionali e locali per l'installazione.

Trasporto

AVVISO

- Quando si trasporta il prodotto Axis, utilizzare l'imballo originale o un imballo equivalente per evitare di danneggiare il prodotto.

AXIS T98A-VE Series Guida all'installazione

Questa Guida all'Installazione fornisce le istruzioni per l'installazione AXIS T98A15-VE/T98A16-VE/T98A17-VE/T98A18-VE/T98A19-VE Surveillance Cabinet.

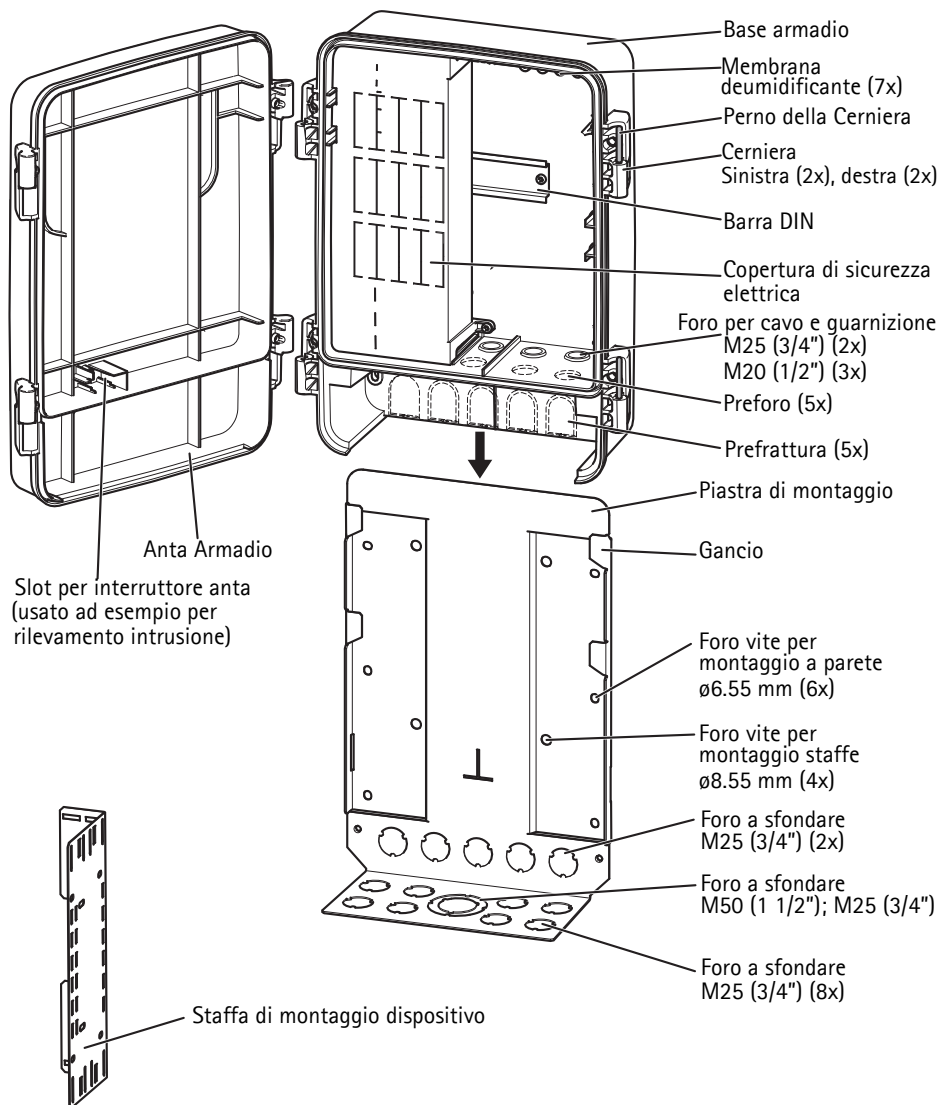
Procedura di installazione



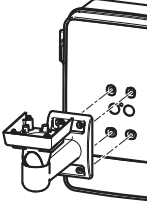
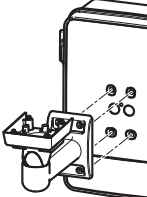





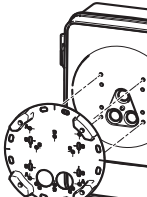





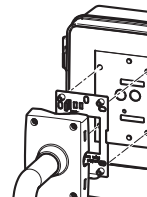
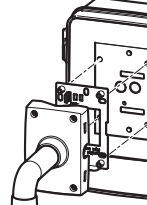


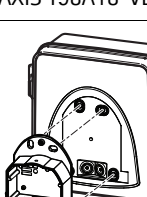
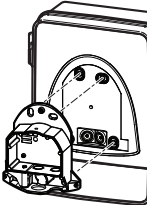



1. Controllare il contenuto della confezione con l'elenco che segue.
2. Panoramica dell'hardware. Vedere la pagina 48.
3. Installazione dell'hardware. Vedere la pagina 51.
 - *Installazione della Piastra di Montaggio*, vedere la pagina 51
 - *Installazione della Base dell'Armadio*, vedere la pagina 54.
 - *Collegamento dei Cavi*, vedere la pagina 55.
 - *Installare il Parasole (venduto separatamente)*, vedere la pagina 57.

1 Contenuto della confezione

Elemento	Modelli/varianti/note	
Armadio di Sorveglianza	AXIS T98A15-VE, kit viti incluso	Vedere immagini alla pagina 49
	AXIS T98A16-VE, kit viti incluso	
	AXIS T98A17-VE, kit viti incluso	
	AXIS T98A18-VE, kit viti incluso	
	AXIS T98A19-VE, kit viti incluso	
Materiali stampati	AXIS T98A-VE Series Guida all'installazione (questo documento)	
Accessori opzionali	Parasole Supporto per angolo, supporto per palo. Kit sicurezza elettrica 120/230 V AC, incluso interruttore per apertura porte (ad esempio per il rilevamento di intrusioni) Midspan Media converter switch Alimentatore Visitare il sito web www.axis.com per informazioni sugli accessori disponibili	

2 Panoramica dell'Hardware



		 Fascetta (6x)
<p>AXIS T98A15-VE</p> 	 Vite T30 (4x)  Rondella T20 (4x)  Guarnizione cavo M20 (2x)	 Morsetto cavo (1x)  Morsetto cavo (5x)  Morsetto cavo (2x)
<p>AXIS T98A16-VE (staffa venduta separatamente)</p> 	 Vite T20 (4x)  Rondella T20 (4x)  Guarnizione cavo M20 (3x)	 Morsetto cavo (2x)  Vite (12x)  Vite (2x)
<p>AXIS T98A17-VE (staffa venduta separatamente)</p> 	 Vite T30 (6x)  Rondella T20 (6x)  Guarnizione cavo M20 (2x)	
<p>AXIS T98A18-VE (staffa venduta separatamente)</p> 	 Screw T30 (4x)  Rondella T20 (4x)  Guarnizione cavo M20 (2x)	

Guida Serraggio Vite

Vite	Serraggio	
Fissare la base dell'armadio alla piastra di montaggio	3.0 Nm \pm 0.2	2.21 lb-ft \pm 0.15
Fissare coperchio di sicurezza elettrica alla base dell'armadio	0.8 Nm \pm 0.1	0.59 lb-ft \pm 0.07
Fissare l'anta dell'armadio alla base dell'armadio	3.5 Nm \pm 0.2	2.58 lb-ft \pm 0.15
Fissare elementi vari all'interno dell'armadio	0.8 Nm \pm 0.1	0.59 lb-ft \pm 0.07
Fissare la staffa della telecamera di rete alla copertura dell'armadio AXIS T98A16-VE	3.0 Nm \pm 0.2	2.21 lb-ft \pm 0.15
Fissare la staffa della telecamera di rete alla copertura dell'armadio AXIS T98A17-VE	1.2 Nm \pm 0.2	0.89 lb-ft \pm 0.15
Fissare la staffa della telecamera di rete alla copertura dell'armadio AXIS T98A18-VE	3.0 Nm \pm 0.2	2.21 lb-ft \pm 0.15
Fissare la staffa della telecamera di rete alla copertura dell'armadio AXIS T98A19-VE	3.0 Nm \pm 0.2	2.21 lb-ft \pm 0.15

3 Installazione dell'Hardware

AVVISO

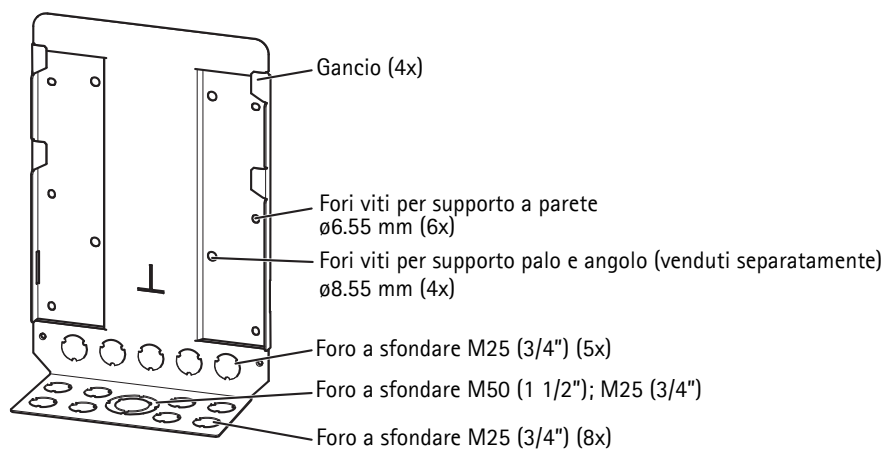
- Le connessioni elettriche devono essere effettuate da un elettricista certificato.
- Per evitare la formazione di condensa, non montare o smontare il prodotto in caso di pioggia.

Nota

- Le cerniere hanno uno stop che blocca l'anta a 105°.
- L'anta può essere incernierata a destra o a sinistra; spostare i perni sul lato preferito.
- Per facilitare l'installazione, l'anta dell'armadio può essere rimossa durante l'installazione della base dell'armadio.

Installazione della Piastra di Montaggio

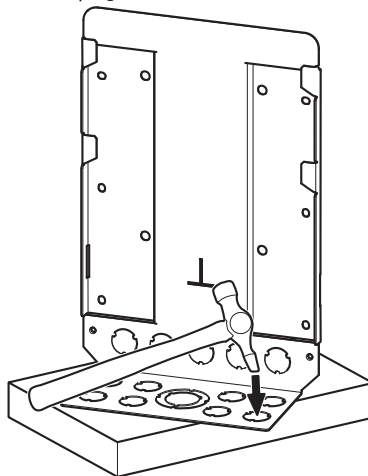
1. Installare la staffa di montaggio scelta (supporto angolo/supporto palo - venduti separatamente) secondo le istruzioni fornite con la staffa di montaggio. Se è necessario forare, assicurarsi di utilizzare punte, viti e tasselli adatti al materiale. Visitare il sito web www.axis.com per informazioni sugli accessori di montaggio disponibili.
2. Rimuovere i fori a sfondare per i cavi nella piastra di montaggio secondo necessità.



Nota

- Per i cavi posizionati da sotto, utilizzare i fori a sfondare sul fondo. Per i cavi posizionati da dietro, utilizzare i fori a sfondare sul retro.

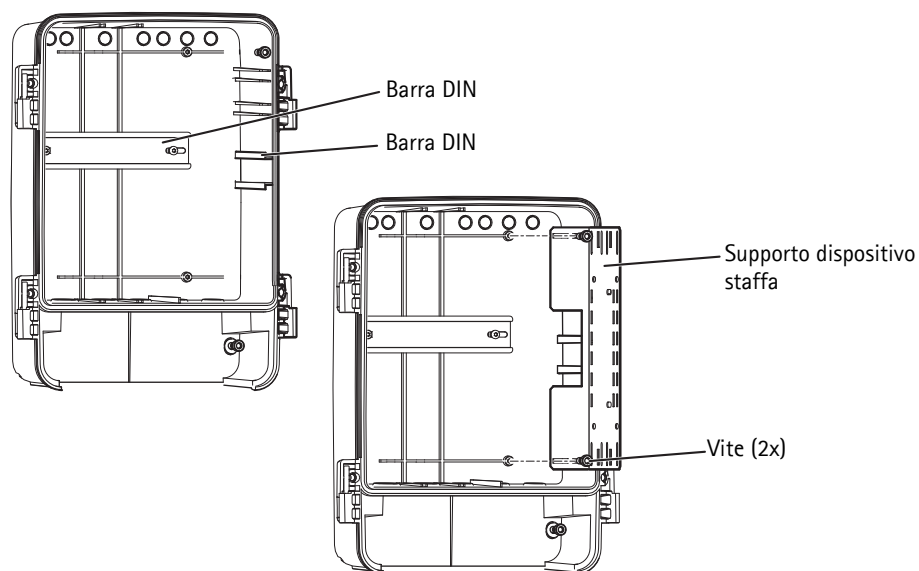
- Per rimuovere un foro a sfondare, colpire il foro a sfondare con un martello con penna a croce fino a quando il foro a sfondare fuoriesce. Assicurarsi di dare supporto alla piastra di montaggio in modo che rimanga piatta e non si pieghi.



3. Montare la piastra di montaggio a parete o il supporto selezionato.

Installazione del Dispositivo

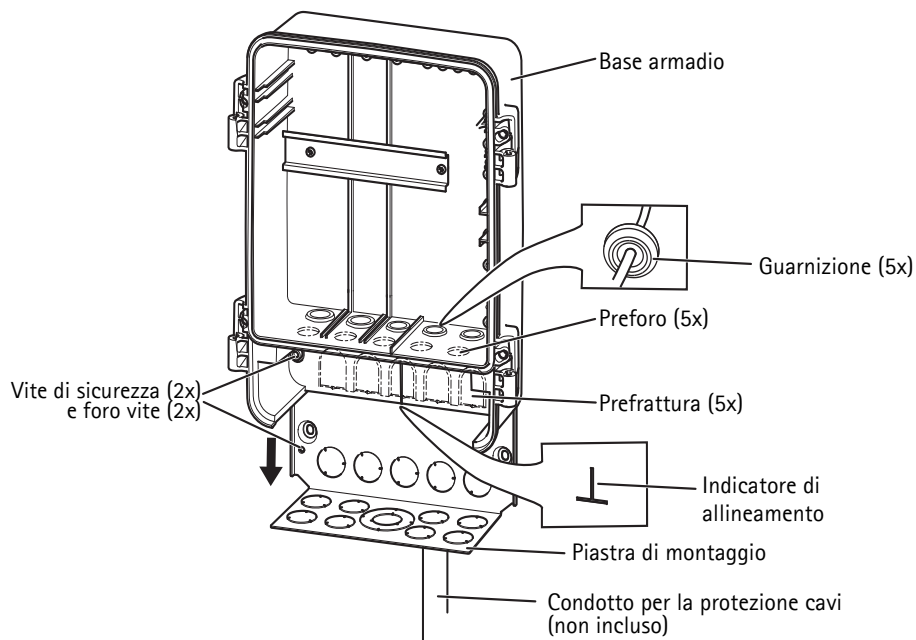
1. La staffa di montaggio per il dispositivo inclusa può essere utilizzata per collegare periferiche quali alimentatori o midspan. Fissare questi dispositivi alla staffa di montaggio del dispositivo con le fascette in dotazione o fissarli alla guida DIN nell'armadio.
2. Se è il caso, fissare la staffa di montaggio del dispositivo alla base dell'armadio usando le viti in dotazione.



3. Montare gli altri dispositivi necessari per l'installazione, ad esempio kit di sicurezza elettrica (venduto separatamente), protezione contro le sovratensioni, o interruttori alla guida DIN in base alle istruzioni del fabbricante. Ulteriori guide DIN (non incluse) possono essere fissate all'armadio secondo necessità.

Installazione della Base dell'Armadio

1. Se necessario, aprire i prefori o le prefrazure per avere ulteriori fori per i cavi nella base dell'armadio. Le marcature indicano dove questi fori per i cavi possono essere forati o tagliati.



2. Appendere la base armadio ai ganci della piastra di montaggio. Allineare l'estremità inferiore dell'armadio con l'indicatore di allineamento per facilitare l'accesso durante il collegamento dei cavi.
3. Collegamento dei cavi, vedere pagina 55.
4. Far scorrere la base dell'armadio nella posizione inferiore e fissarlo alla piastra di montaggio con le viti di sicurezza (serraggio $3.0 \text{ Nm} \pm 0.2$).

Collegamento dei Cavi

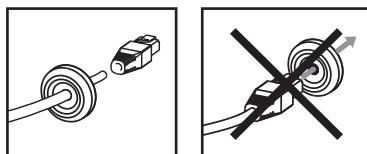
▲ PERICOLO

- Le connessioni elettriche e l'installazione dei condotti devono essere effettuate da un elettricista certificato e in conformità con le disposizioni locali.
- L'alimentatore deve essere sempre collegato alla rete elettrica al termine dell'installazione e non prima.

AVVISO

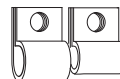
- Le guarnizioni per cavi devono essere posizionate in tutti i fori aperti per cavi nella base dell'armadio per mantenere la classificazione IP del prodotto. Se i fori non sono sigillati, l'acqua potrebbe penetrare nell'armadio e causare danni ai dispositivi interni.
- I cavi posizionati attraverso guarnizioni M20 devono avere un diametro di 3.5 mm – 12.5 mm (0.14" – 0.49").
- I cavi posizionati attraverso guarnizioni M25 devono avere un diametro di 9.1 mm – 12.5 mm (0.36" – 0.49").
- I cavi di segnale e di potenza devono essere sempre separati all'interno dell'armadio.

Per preparare un cavo con una guarnizione, forzare delicatamente il cavo attraverso la guarnizione fornita e collegare il connettore appropriato. Potrebbe essere necessario forare la guarnizione con un cacciavite.

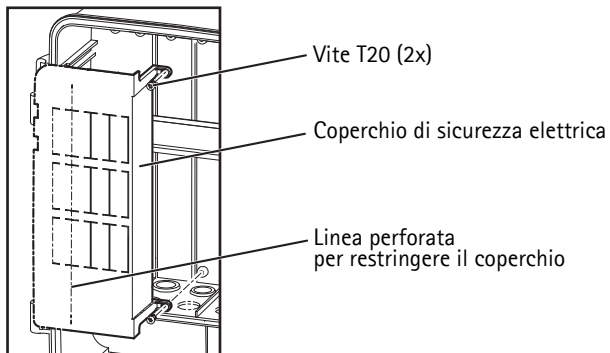


AVVISO

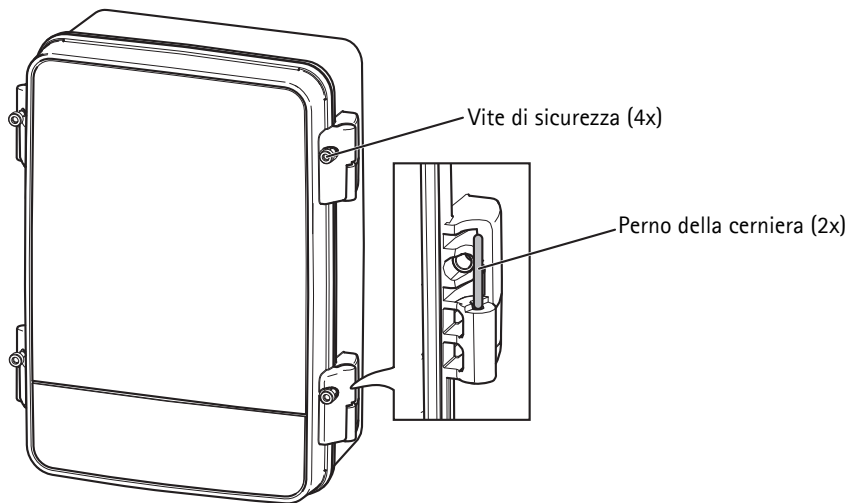
- Non forzare il connettore nella guarnizione.
 - Non forare la guarnizione con un coltello o un altro oggetto appuntito.
1. Far passare i cavi necessari per l'installazione attraverso i condotti (non inclusi), le guarnizioni dei cavi e fori per cavi.
 2. Fissare le guarnizioni dei cavi ai fori dei cavi.
 3. Collegare i cavi a e tra i dispositivi, tranne l'alimentazione, secondo le istruzioni del fabbricante. Utilizzare le fascette in dotazione per mantenere i cavi in ordine. Se si sta installando una telecamera di rete Axis sull'anta, far riferimento a *Installazione di una Telecamera di rete Axis (venduta separatamente)*, alla pagina 57.
 4. Se necessario, restringere il coperchio di sicurezza elettrica fornito tagliando lungo la linea perforata.
 5. Aprire gli slot nel coperchio di sicurezza elettrica, come richiesto rompendo le linguette.
 6. Collegare l'alimentatore alla rete elettrica.



7. Fissare il coperchio di sicurezza elettrica con le viti in dotazione (serraggio $0.8 \text{ Nm} \pm 0.1$).



8. Collegare la rete.
9. Spostare i perni sul lato preferito e appendere l'anta sulle cerniere.
10. Chiudere l'anta dell'armadio e fissarla con le viti di sicurezza (serraggio $3.5 \text{ Nm} \pm 0.2$).



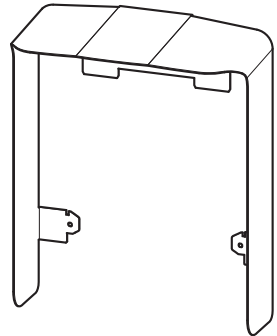
Installazione di una Telecamera di rete Axis (venduta separatamente)

1. Se richiesto, posizionare i cavi necessari attraverso la staffa della telecamera.
2. Posizionare i cavi necessari attraverso le guarnizioni dei cavi in dotazione. Far riferimento a *Collegamento dei Cavi*, alla pagina 55 per istruzioni su come preparare un cavo con una guarnizione.
3. Fissare le guarnizioni dei cavi ai fori dei cavi nell'anta dell'armadio.
4. Collegare i cavi tra la telecamera e i dispositivi come richiesto.
5. Se necessario, utilizzare il cavo di sicurezza per evitare che la telecamera cada.
6. Collegare la telecamera all'anta dell'armadio o, se richiesto, alla staffa della telecamera. Far riferimento a Guida Serraggio Vite a pagina 50.

Per ulteriori informazioni su come installare i prodotti con tecnologia di rete Axis, far riferimento alla Guida all'installazione fornita con il prodotto o disponibile sul sito www.axis.com

Installare il Parasole (venduto separatamente)

Installare il Parasole (venduto separatamente) secondo le istruzioni fornite. Il parasole protegge l'armadio dalla luce del sole e dalla pioggia.



Specifiche tecniche

Funzione/gruppo	Elemento	Specifiche
Armadio di Sorveglianza	Modello	AXIS T98A15-VE AXIS T98A16-VE AXIS T98A17-VE AXIS T98A18-VE AXIS T98A19-VE
Caratteristiche generali	Involucro	Policarbonato
	Ambiente	Interno/esterno
	Condizioni operative	da -40 °C a +75 °C Umidità compresa tra il 15 e 100% (condensa)
	Approvazioni	IEC 60068-2-6, IEC 60068-2-27 IEC/EN/UL 60950-1, IEC/EN/UL 60950-22 IEC 60529 IP66, IEC 62262 IK10, Custodia tipo 4X UL 50, UL 50E
	Peso	2,4 kg AXIS T98A16-VE, AXIS T98A18-VE: 2,5 kg
	Dimensioni	131 mm x 282 mm x 361 mm
	Accessori inclusi	Guarnizioni dei cavi pre-montate, guida DIN pre-montata, piastra di montaggio, morsetti dei cavi, cinghie del cavo, coperchio di sicurezza elettrica, staffa di supporto di montaggio, Guida all'installazione
Accessori opzionali	Staffa angolare, staffa di montaggio su palo, parasole, guarnizione cavo, kit di sicurezza elettrica, midspan, media converter switch, alimentatore	

Ulteriori Informazioni

Visitare il Centro di apprendimento Axis alla pagina www.axis.com/academy per servizi di formazione utili, webinar, tutorial e guide.

Garanzia

Per informazioni sulla garanzia del prodotto Axis e informazioni ad esso relative, consultare la pagina www.axis.com/warranty

Medidas preventivas

Lea detenidamente esta Guía de instalación antes de instalar el producto Axis. Guarde la Guía de instalación para poder consultarla en el futuro.

AVISO

- Utilice solo las herramientas apropiadas para instalar el producto Axis; una fuerza excesiva podría dañarlo.
- No utilice productos químicos, agentes cáusticos ni limpiadores en aerosol. Límpielo con un paño húmedo.
- Utilice solo accesorios que cumplan las especificaciones técnicas del producto. Puede obtenerlos de Axis o de un tercero.

Importante

- La instalación del producto Axis debe realizarla un profesional cualificado. Siga las normativas nacionales y locales aplicables para la instalación.

Transporte

AVISO

- A la hora de transportar el producto Axis, utilice el embalaje original o uno equivalente para no dañar el producto.

Guía de instalación de la AXIS T98A-VE Series

Esta guía de instalación incluye las instrucciones necesarias para instalar el AXIS T98A15-VE/T98A16-VE/T98A17-VE/T98A18-VE/T98A19-VE Surveillance Cabinet.

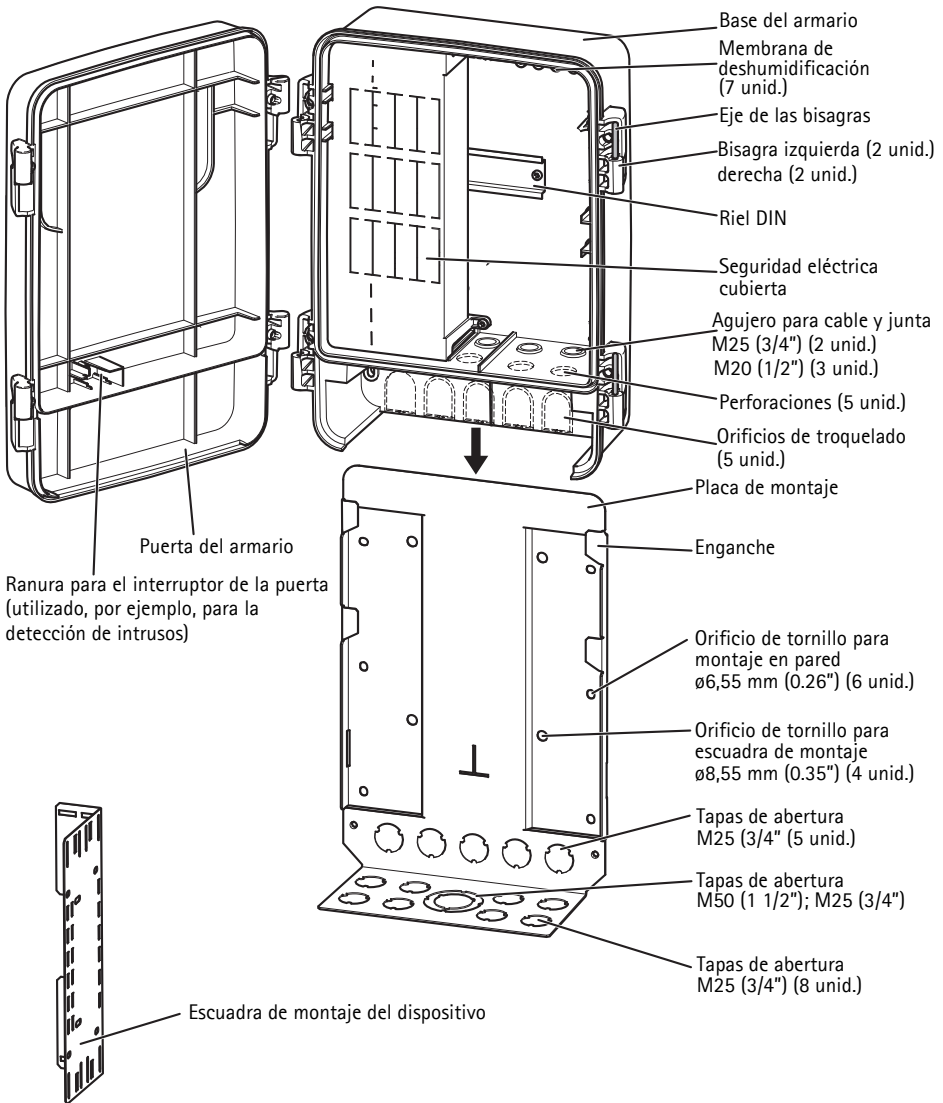
Pasos para la instalación



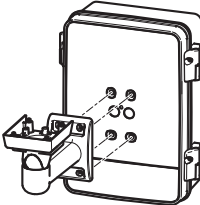


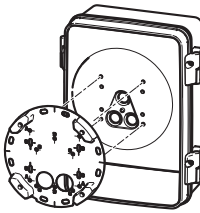



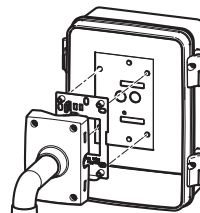



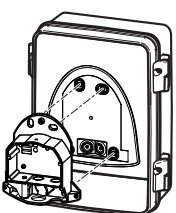



1. Verifique el contenido del paquete cotejándolo con la lista que aparece más abajo.
2. Presentación del hardware. Véase la página 62.
3. Instalación del hardware. Véase la página 65.
 - *Instale la placa de montaje*, véase página 65
 - *Instalación de la base del armario*, véase página 68.
 - *Conexión de los cables*, véase página 69.
 - *Enganche el parasol (se vende por separado)*, véase página 71.

1 Contenido del paquete

Artículo	Modelos/variantes/notas	
Armario de vigilancia	AXIS T98A15-VE, kit de tornillos incluidos	Consulte las ilustraciones de la página 63.
	AXIS T98A16-VE, kit de tornillos incluidos	
	AXIS T98A17-VE, kit de tornillos incluidos	
	AXIS T98A18-VE, kit de tornillos incluidos	
	AXIS T98A19-VE, kit de tornillos incluidos	
Materiales impresos	Guía de instalación de la AXIS T98A-VE Series (este documento)	
Accesorios opcionales	<p>Parasol</p> <p>Montaje en esquina, montaje en poste</p> <p>Kit de seguridad eléctrica de 120/230 V CA, interruptor de puerta incluido (por ejemplo para la detección de intrusos)</p> <p>Midspan (inyector de corriente)</p> <p>Switch convertidor de medios</p> <p>Fuente de alimentación</p> <p>Visite www.axis.com para obtener más información acerca de los accesorios disponibles</p>	

2 Presentación del hardware



	<p>AXIS T98A15-VE</p>	 <p>Bridas (6 unid.)</p>
	<p>AXIS T98A16-VE (las escuadras se venden por separado)</p>	 <p>Mordaza para cables (1 unid.)</p>  <p>Mordaza para cables (5 unid.)</p>
	<p>AXIS T98A17-VE (las escuadras se venden por separado)</p>	 <p>Mordaza para cables (2 unid.)</p>  <p>Tornillos (12 unid.)</p>  <p>Tornillos (2 unid.)</p>
	<p>AXIS T98A18-VE (las escuadras se venden por separado)</p>	 <p>Tornillo T30 (6 unid.)</p>  <p>Arandela T20 (6 unid.)</p>  <p>Junta para cable M20 (2 unid.)</p>
	<p>AXIS T98A19-VE (las escuadras se venden por separado)</p>	 <p>Screw T30 (4x)</p>  <p>Arandela T20 (4x)</p>  <p>Junta para cable M20 (2x)</p>

Guía del par de apriete

Para:	Par de fuerza	
Asegurar la base del armario a la placa de montaje	3,0 Nm \pm 0,2	2.21 lb-ft \pm 0.15
Encajar la cubierta de seguridad eléctrica a la base del armario	0,8 Nm \pm 0,1	0.59 lb-ft \pm 0.07
Encajar la puerta del armario a la base del armario	3,5 Nm \pm 0,2	2.58 lb-ft \pm 0.15
Tornillos para la unión de varios elementos dentro del armario	0,8 Nm \pm 0,1	0.59 lb-ft \pm 0.07
Encajar la escuadra de montaje de la cámara de red a la cubierta del armario AXIS T98A16-VE	3,0 Nm \pm 0,2	2.21 lb-ft \pm 0.15
Encajar la escuadra de montaje de la cámara de red a la cubierta del armario AXIS T98A17-VE	1,2 Nm \pm 0,2	0.89 lb-ft \pm 0.15
Encajar la escuadra de montaje de la cámara de red a la cubierta del armario AXIS T98A18-VE	3,0 Nm \pm 0,2	2.21 lb-ft \pm 0.15
Encajar la escuadra de montaje de la cámara de red a la cubierta del armario AXIS T98A19-VE	3,0 Nm \pm 0,2	2.21 lb-ft \pm 0.15

3 Instalación del hardware

AVISO

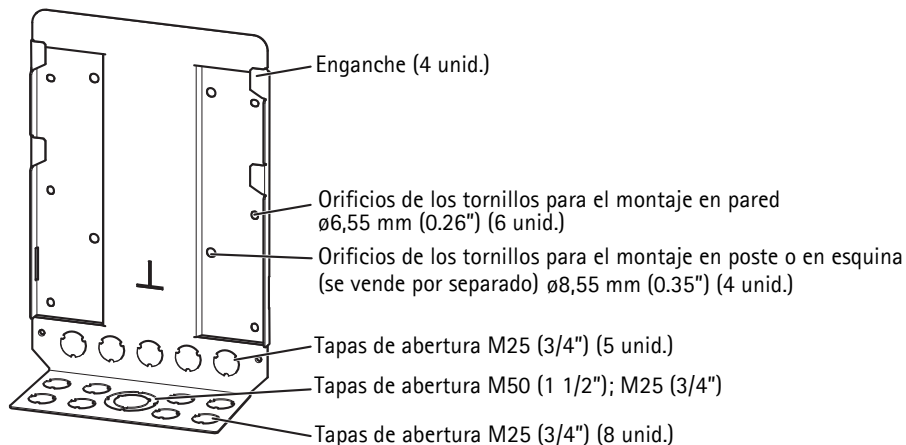
- Las conexiones eléctricas deben ser realizadas por un electricista cualificado.
- Para evitar la condensación, no monte ni desmonte el producto cuando llueva.

Nota

- Las bisagras disponen de un tope que bloquea la puerta del armario con una apertura máxima de 105°.
- La puerta del armario puede abrirse hacia la izquierda o la derecha, desplace el eje de las bisagras hacia el lado que desee.
- Para facilitar la instalación, puede quitar la puerta del armario durante la instalación de la base del armario.

Instale la placa de montaje

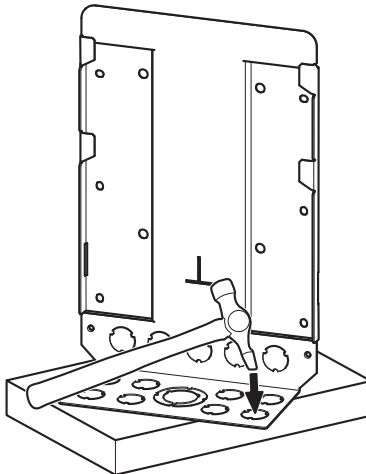
1. Instale la escuadra de montaje seleccionada (montaje en esquina o montaje en poste, se vende por separado) de acuerdo con las instrucciones proporcionadas con ésta. Si fuese necesario taladrar, asegúrese de utilizar las brocas, los tornillos y los tacos adecuados para el material. Visite www.axis.com para obtener más información sobre los accesorios de montaje disponibles.
2. Retire las tapaderas de aberturas necesarias para los cables de la placa de montaje.



Nota

- Para los cables guiados desde abajo, use las tapas de abertura inferiores. Para los cables guiados desde detrás, use las tapas de abertura traseras.

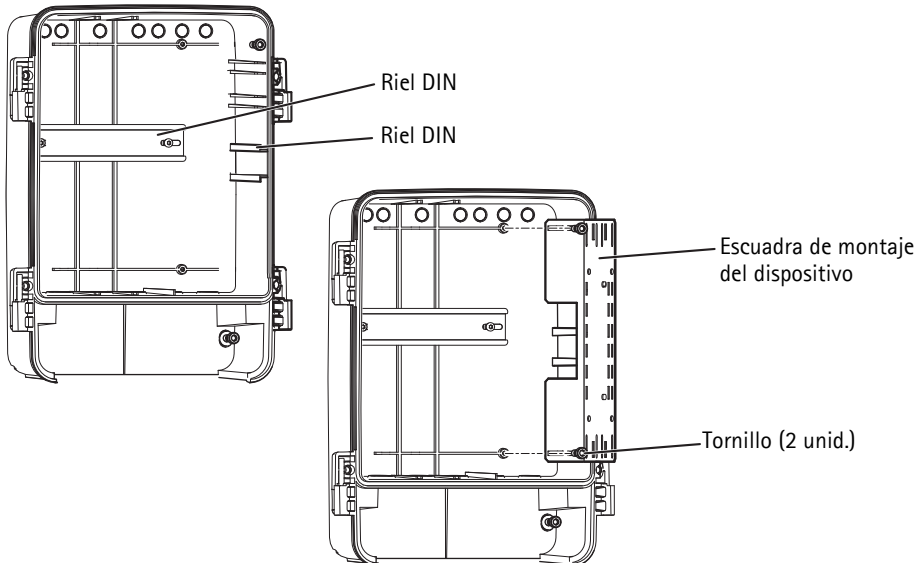
- Para retirar una tapa de abertura, golpee el tapón con un martillo de boca cruzada hasta que la tapa de abertura salte hacia fuera. Asegúrese de proporcionar el soporte adecuado a la placa de montaje de manera que no se doble y se mantenga plana.



3. Instale la placa de montaje en la pared o en la escuadra seleccionada.

Instalación de los dispositivos

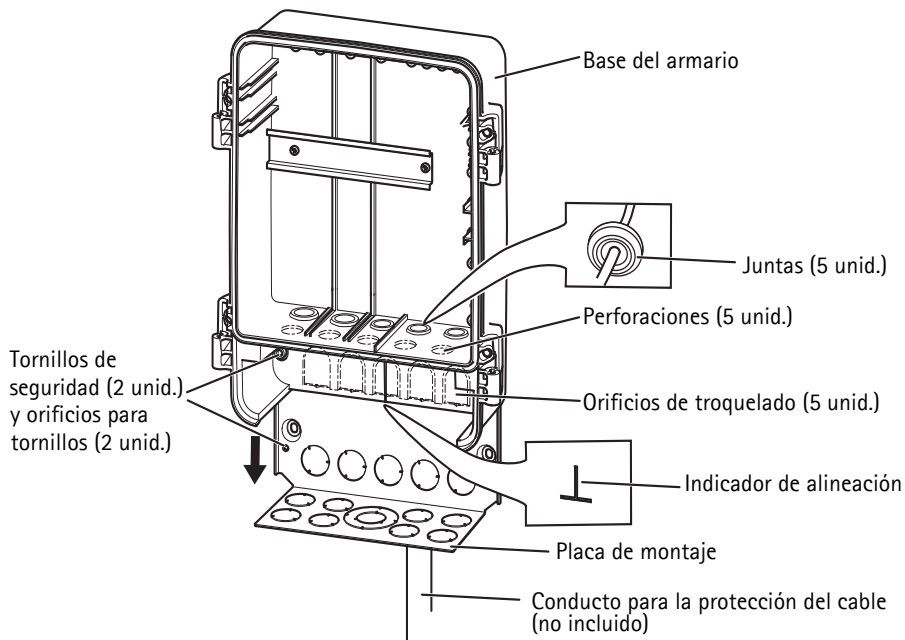
1. La escuadra de montaje del dispositivo incluida se puede utilizar para fijar dispositivos como fuentes de alimentación o unidades midspan (inyectores de corriente). Fije estos dispositivos a la escuadra de montaje del dispositivo con las bridas suministradas o conéctelas al riel DIN del armario.
2. Si procede, una la escuadra de montaje del dispositivo a la base del armario usando los tornillos suministrados.



3. Coloque los demás dispositivos necesarios para la instalación, por ejemplo un kit de seguridad eléctrica (se vende por separado), protectores contra sobrecargas, o interruptores al riel DIN de acuerdo con las instrucciones de los fabricantes. En caso necesario, puede fijar rieles DIN adicionales (no incluidos) al armario.

Instalación de la base del armario

1. En caso necesario, practique perforaciones y orificios de troquelado en la base del armario para orificios adicionales para cables. Las marcas indican dónde pueden troquelarse o perforarse estos agujeros para cables.



2. Cuelgue la base del armario en el enganche de la placa de montaje. Alinee la parte inferior del armario con el indicador de alineación para facilitar el acceso durante la conexión de los cables.
3. Para conectar los cables consulte página 69.
4. Deslice la base del armario hasta la posición inferior y asegúrela a la placa de montaje con los tornillos de seguridad (par 3.0 Nm \pm 0.2).

Conexión de los cables

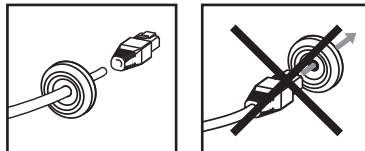
⚠ PELIGRO

- Las conexiones eléctricas y las instalaciones de los conductos deben ser realizadas por un electricista cualificado y de acuerdo con las regulaciones locales.
- La fuente de alimentación debe conectarse siempre a la alimentación eléctrica al finalizar la instalación, y no antes.

Nota

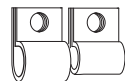
- Las juntas de los cables deben fijarse en todos los orificios de cable abiertos en la base del armario para mantener la calificación IP del producto. Si los orificios no se sellasen, se podría filtrar agua en el armario causando daños a los dispositivos interiores.
- Los cables guiados mediante juntas M20 deben tener un diámetro de 3,5 mm - 12,5 mm (0,14" - 0,49").
- Los cables guiados mediante juntas M25 deben tener un diámetro de 9,1 mm - 12,5 mm (0,36" - 0,49").
- Los cables de alimentación y de señal deben estar siempre separados en el interior del armario.

Para preparar un cable con una junta, deslice poco a poco el cable a través de la junta suministrada y fije el conector apropiado. Puede que sea necesario perforar un orificio en la junta con un destornillador.

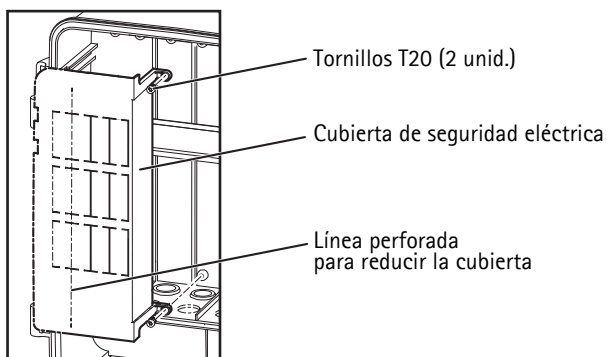


AVISO

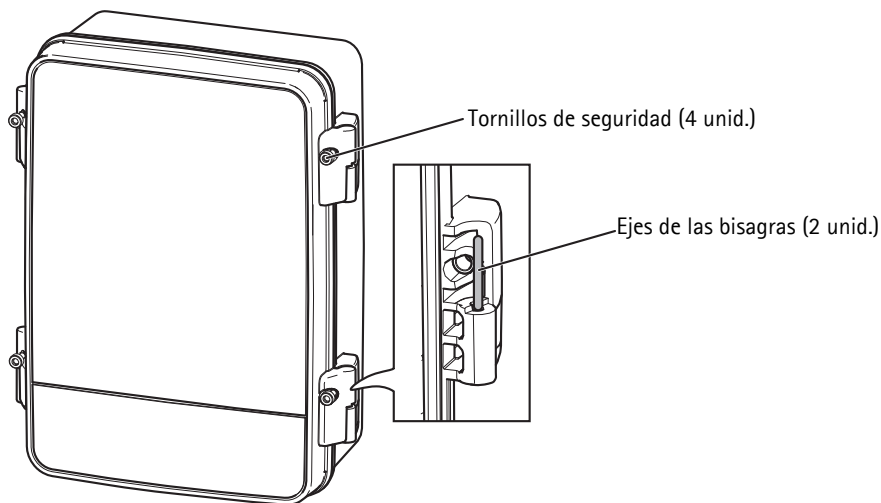
- No fuerce el conector en la junta.
 - No perforo la junta con un cuchillo u otro objeto afilado.
1. Guíe los cables necesarios para la instalación a través de los conductos (no incluidos), las juntas para cable y los orificios para cable.
 2. Fije las juntas del cable a los orificios del cable.
 3. Conecte los cables a los dispositivos y entre ellos, con excepción de la fuente de alimentación, siguiendo las instrucciones del fabricante. Utilice las mordazas para cables suministradas para mantener organizados los cables. Si instala una cámara en red de Axis sobre la puerta, vaya a *Instalar una cámara de red de Axis (se vende por separado)*, en la página 71.
 4. Si es preciso, reduzca la cubierta de seguridad eléctrica suministrada cortándola a lo largo de la línea perforada.
 5. Abra las ranuras de la cubierta de seguridad eléctrica según convenga rompiendo las pestañas.
 6. Conecte la fuente de alimentación a la red eléctrica.



- Fije la cubierta de seguridad eléctrica con la ayuda de los tornillos suministrados (par $0,8 \text{ Nm} \pm 0,1$).



- Conecte la alimentación eléctrica.
- Desplace los ejes de las bisagras hacia el lado que desee y cuelgue la puerta sobre las bisagras.
- Cierre la puerta del armario y asegúrela con los tornillos de seguridad (par $3,5 \text{ Nm} \pm 0,2$).



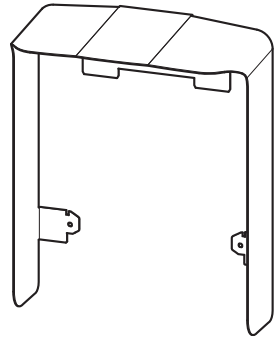
Instalar una cámara de red de Axis (se vende por separado)

1. Si procede, guíe los cables necesarios a través de la abrazadera de la cámara.
2. Guíe los cables necesarios a través de las juntas de cable suministradas. Consulte *Conexión de los cables*, en la página 69 para más instrucciones acerca de cómo preparar un cable con una junta.
3. Inserte las juntas del cable en los orificios del cable situados en la puerta del armario.
4. Conecte los cables entre la cámara y los dispositivos según sea necesario.
5. Si está disponible, utilice el cable de seguridad para evitar una caída de la cámara.
6. Fije la cámara a la puerta del armario o, si procede, al soporte de la cámara. Consulte la guía del par de apriete de los tornillos en página 64.

Para más información acerca de cómo instalar productos en red de Axis, por favor consulte la Guía de instalación suministrada con el producto o disponible desde www.axis.com

Enganche el parasol (se vende por separado)

Enganche el parasol (se vende por separado) siguiendo las instrucciones suministradas. El parasol protege el armario de la luz del sol y de la lluvia.



Especificaciones técnicas

Función/grupo	Artículo	Especificaciones
Armario de vigilancia	Modelo	AXIS T98A15-VE AXIS T98A16-VE AXIS T98A17-VE AXIS T98A18-VE AXIS T98A19-VE
Generales	Carcasa	Polycarbonato
	Entorno	Interior / Exterior
	Condiciones de funcionamiento	-40 °C a +75 °C (-40 °F a 167 °F) Humedad de 15% a 100% (con condensación)
	Homologaciones	IEC 60068-2-6, IEC 60068-2-27 IEC/EN/UL 60950-1, IEC/EN/UL 60950-22 IEC 60529 IP66, IEC 62262 IK10, carcasa tipo 4x UL 50, UL 50E
	Peso	2,4 kg AXIS T98A16-VE, AXIS T98A18-VE: 2,5 kg
	Dimensiones	131 mm x 282 mm x 361 mm (5.2" x 11.1" x 14.2")
	Accesorios incluidos	Juntas de cable preinstaladas, riel DIN preinstalado, placa de montaje, mordazas para cable, correas para cable, cubierta de seguridad eléctrica, escuadra de montaje del dispositivo, guía de instalación
Accesorios opcionales	Escuadra de esquina, escuadra de montaje en poste, parasol, junta para cable, kit de seguridad eléctrica, midspan, switch convertidor de medios, fuente de alimentación	

Para más información

Visite el centro de formación de Axis en www.axis.com/academy para consultar cursos, seminarios web, tutoriales y guías de gran utilidad.

Garantía

Para obtener más información acerca de la garantía de los productos Axis e información relacionada, visite www.axis.com/warranty

Installation Guide

AXIS T98A-VE Series

© Axis Communications AB, 2012-2015

Ver.3.0

Printed: June 2015

Part No. 1479251